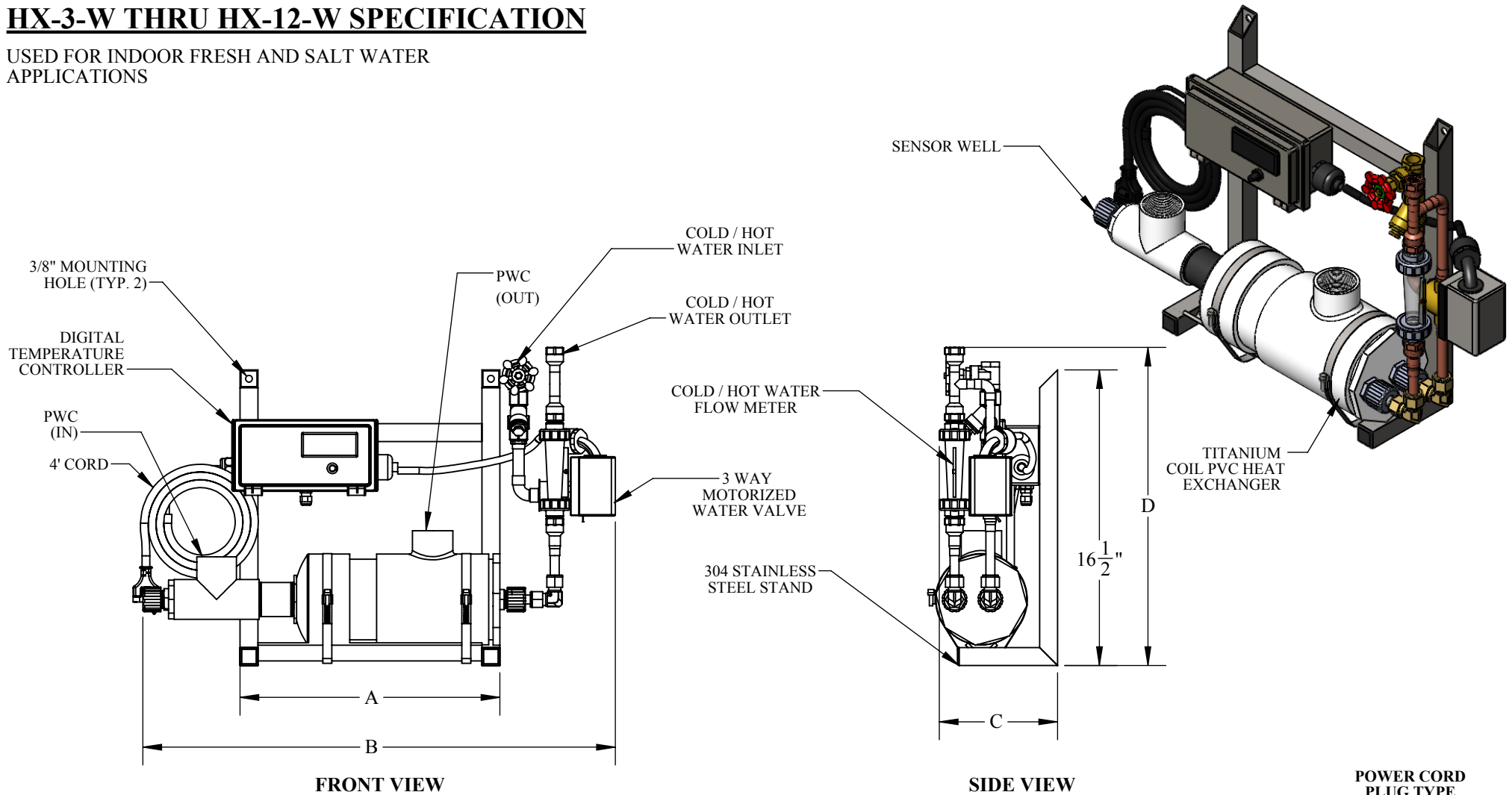


HX-3-W THRU HX-12-W SPECIFICATION

USED FOR INDOOR FRESH AND SALT WATER APPLICATIONS



PWC: PROCESS WATER CONNECTION SIZE

HEAT EXCHANGER SPECIFICATIONS									
MODEL NO.	*NOMINAL BTUH / KW	PROCESS WATER FLOW RATE (GPM)	COLD / HOT WATER FLOW RATE (GPM)*	A	B	C	D	PWC IN / OUT (FPT)	COLD / HOT WATER SUPPLY IN / OUT (FPT)
HX-3-W	3,000 / 0.9	15	0.6 / .3	14 1/2"	21"	6.5"	18"	3/4"	1/2"
HX-4-W	4,000 / 1.1	20	0.8 / .4	14 1/2"	23"	6.5"	18"	3/4"	1/2"
HX-6-W	6,000 / 1.7	25	1.2 / .6	14 1/2"	24"	7"	18"	1 1/2"	1/2"
HX-9-W	9,000 / 2.6	30	1.8 / .9	17 1/2"	31"	7"	18"	1 1/2"	1/2"
HX-12-W	12,000 / 3.5	35	2.4 / 1.2	17 1/2"	34"	7"	18"	1 1/2"	1/2"

***NOTE:**
 *FLOW RATE (GPM) AND (BTU) RATING IS BASED ON 40 °F EWT @ 10 °F ΔT (COLD) AND PVC SHELL 75°F EWT @ .5°F ΔT
 · CONTACT AQUA LOGIC FOR SIZING IF PARAMETERS DIFFER FROM ABOVE.
 · ALL DIMENSIONS ARE AN APPROXIMATE AND CAN CHANGE AT ANY TIME.

POWER CORD PLUG TYPE



#5-15P MALE PLUG
 1 AMP @ 115 VOLT

- OPTIONS**
- SCH 80 PVC HEAT EXCHANGER.
 - SCH 40 OR SCH 80 CPVC HEAT EXCHANGER (CPVC RECOMMENDED FOR ALL HOT WATER APPLICATIONS WHERE HOT WATER FEED EXCEEDS 130°F).
 - 316 STAINLESS STEEL STAND AND HARDWARE.
 - 2 WAY MOTORIZED WATER VALVE AVAILABLE.



* COPYRIGHT * These drawings including design idea and construction techniques herein are the sole property of Aqua Logic Inc. They shall not be revised, copied, or reproduced in any manner without the written consent of Aqua Logic Inc..		DESCRIPTION WATER TO WATER HEAT EXCHANGERS		DRAWING # PDF-0043		SHEET TITLE HX-3-W THRU HX-12-W SPECIFICATIONS	
DRAWN BY Arnaldo Guzman	DATE 2/14/2018	REVISION A	SCALE 1:10	SHEET # 1 OF 1			