

DS-7-WC THRU DS-10-WC CHILLER SPECIFICATION

FOR INDOOR FRESH AND SALT WATER APPLICATIONS

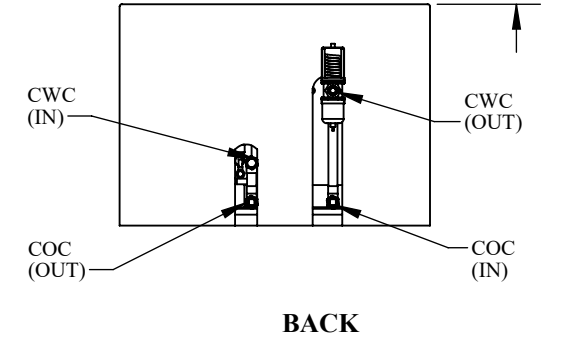
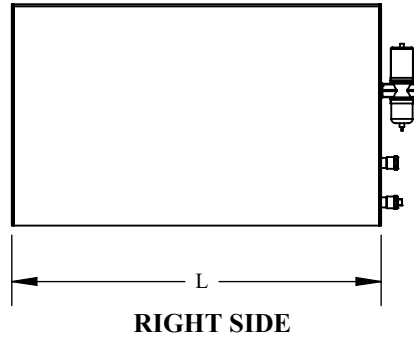
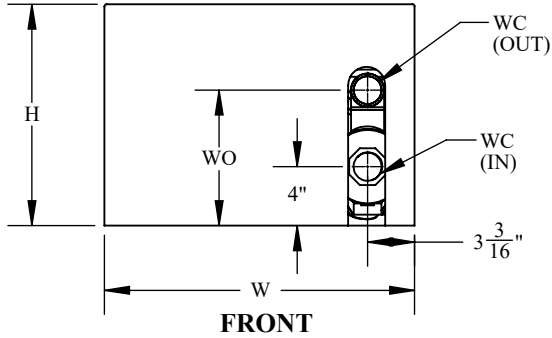
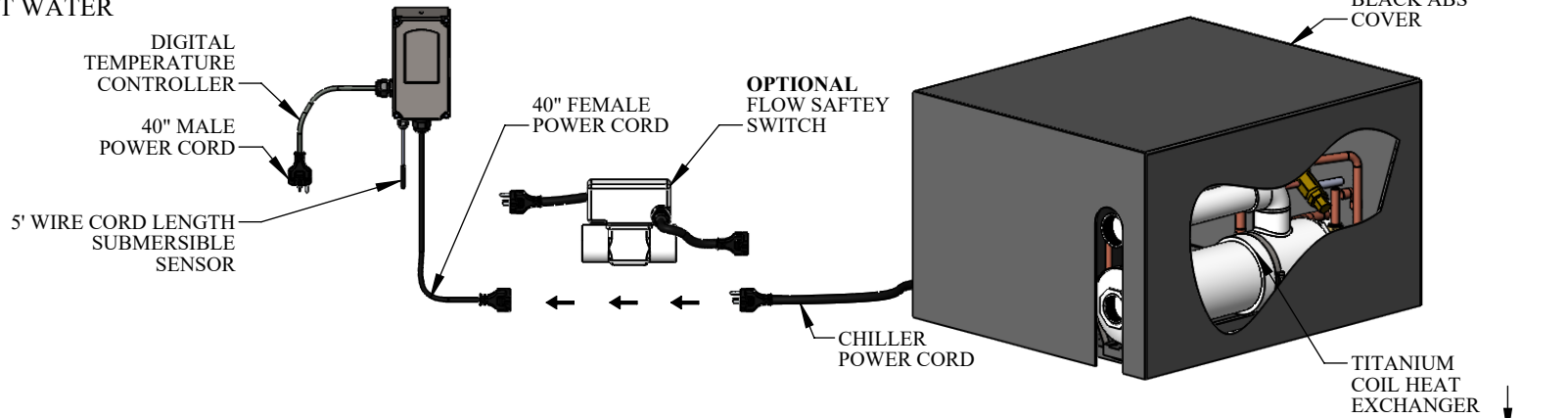
POWER CORD PLUG TYPE



#5-20P
DS-7-WC



#6-15P
DS-8 THRU DS-10-WC



WO: WATER OUTLET WC: WATER CONNECTION SIZE
CWC: CITY WATER CONNECTION SIZE COC: CLEAN OUT CONNECTION SIZE

-ALL MODELS INCLUDES 18" LONG POWER CORD AND 6' CONTROL TETHER.

CHILLER SPECIFICATIONS

MODEL NO.	HP	NOMINAL BTUH	REFRIGERANT TYPE / CHARGE (OZ.)	VOLTS / PHASE	AMPS.	WATTS	WATER FLOW RATE (GPM)	*CITY WATER USE (GPM)	L	W	H	WO	WC WATER IN / OUT (FPT)	CWC WATER IN / OUT (FPT)	COC WATER IN / OUT (FPT)	SHIPPING WEIGHT (LBS.)	SHIPPING DIMENSIONS (IN.)	DIGITAL TEMP CONT.
DS-7-WC	3/4	9,500	R134A / 38	115	13	1495	15-30	1	25"	21"	15"	9 1/4"	1 1/2"	3/8"	3/8"	150	33 x 26 x 23	DC115-20
DS-8-WC	3/4	9,500	R134A / 38	230 / 1	7	1610	15-30	1	25"	21"	15"	9 1/4"	1 1/2"	3/8"	3/8"	150	33 x 26 x 23	DC230S
DS-9-WC	1	12,000	R134A / 48	230 / 1	7.2	1656	20-35	1.5	27"	24"	15"	9 1/4"	1 1/2"	3/8"	3/8"	160	33 x 26 x 23	DC230S
DS-10-WC	1 1/2	21,000	R422B / 54	230 / 1	10.5	2415	25-40	2	31"	26"	19"	12"	1 1/2"	3/8"	3/8"	250	36 x 32 x 25	DC230S

NOTE:

- * CITY WATER GPM USE IS BASED ON THE ENTERING TEMPERATURE BETWEEN 55-60°F WITH A MAXIMUM WATER INLET PRESSURE OF 60 PSIG. PRESSURE DROP ACROSS THE CONDENSER IS ~15 PSIG.
- WATER FLOWS THROUGH UNIT ONLY WHEN THE UNIT IS RUNNING.
- CITY WATER AND CLEAN OUT CONNECTION LOCATIONS MAY VARY.
- MINIMUM CLEARANCE AROUND THE UNIT IS 4".
- ALL DIMENSIONS ARE APPROXIMATE AND CAN CHANGE WITHOUT NOTICE.



9558 Camino Ruiz, San Diego, CA 92126

DRAWING # PDF-0018 SHEET TITLE DS-7-WC THRU DS-10-WC CHILLER SPECIFICATION

* COPYRIGHT * These drawings including design idea and construction techniques herein are the sole property of Aquo Logic Inc. They shall not be revised, copied, or reproduced in any manner without the written consent of Aquo Logic Inc.		DESCRIPTION		DATE	REVISION	SCALE	SHEET #
		DRAWN BY Arnaldo Guzman		3/30/2020			1 OF 1