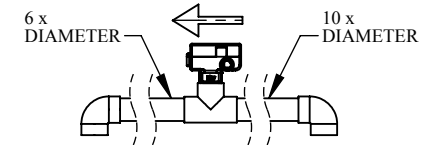
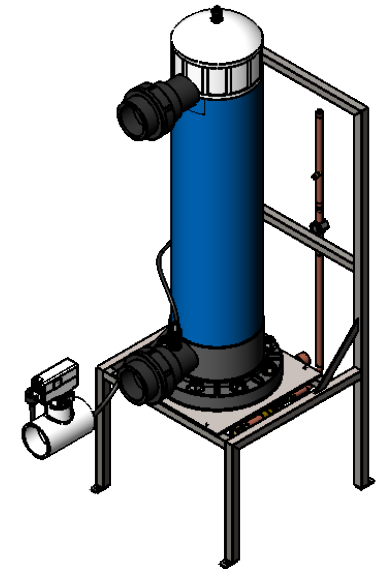
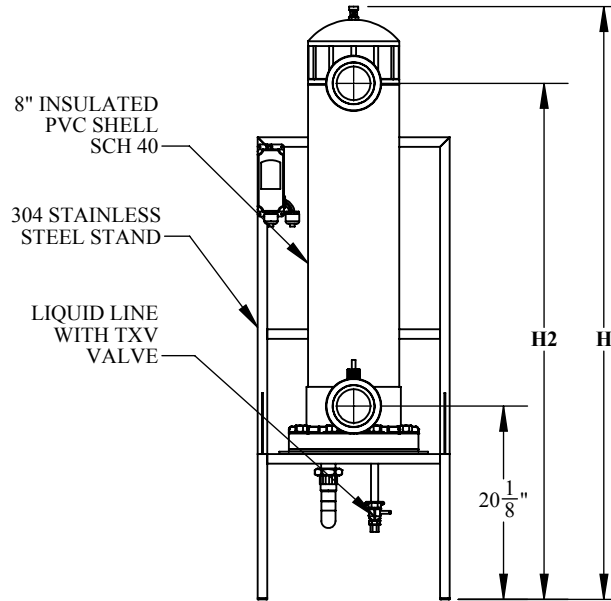
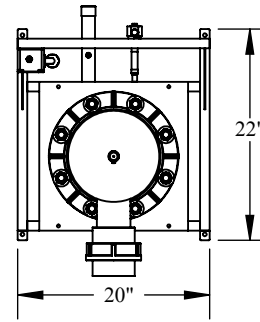
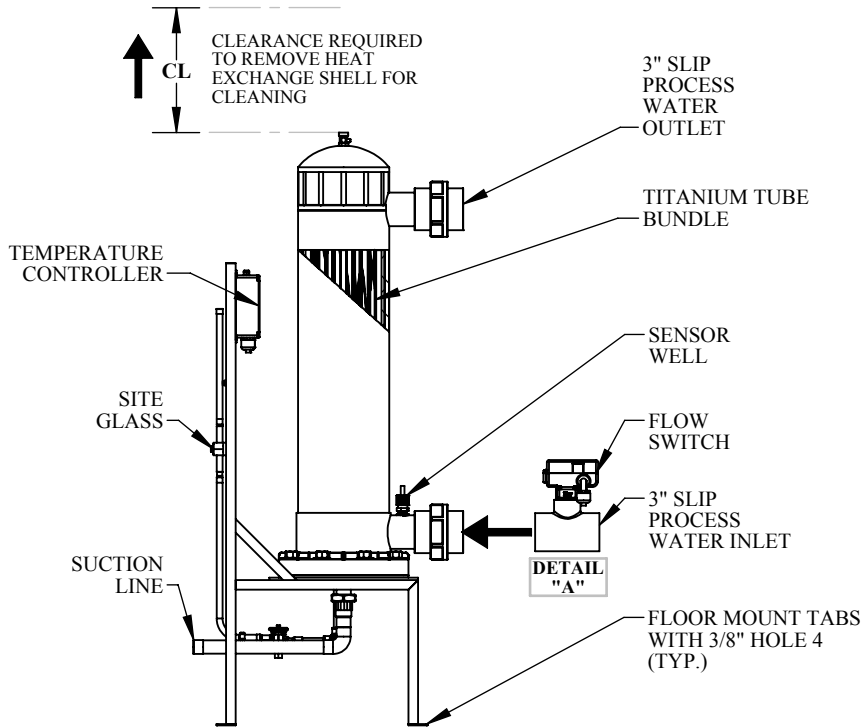


HX-120-DX THRU HX-240-DX SPECIFICATION

FOR INDOOR FRESH AND SALT WATER APPLICATIONS



**** IMPORTANT! ****
·DETAIL "A"
 · FLOW SWITCH MUST BE FIELD INSTALLED HORIZONTALLY WITH NO LESS THAN 10 TIMES THE DIAMETER OF STRAIGHT PIPE ON THE INLET SIDE AND NO LESS THAN 6 TIMES THE DIAMETER ON THE OUTLET SIDE.

HEAT EXCHANGER SPECIFICATIONS								
MODEL NO.	TONS	**NOMINAL BTUH / KW	REFRIGERANT CONNECTION NO. OF CIRCUITS INLET / OUTLET (ODF)	WATER FLOW RATE (GPM)	H	H2	CL	SHIPPING DIMENSIONS (IN.)
HX-120-DX	10	120K / 35	1 @ 5/8" / 1 3/8"	120 / 180	62"	54"	46"	67 x 35 x 25
HX-150-DX	12.5	150K / 43.9	2 @ 1/2" / 1 1/8"	120 / 180	68"	62"	56"	73 x 35 x 25
HX-180-DX	15	180K / 51.2	1 @ 5/8" / 1 5/8"	120 / 180	80"	74"	64"	85 x 35 x 25
HX-240-DX	20	240K / 65.3	2 @ 1/2" / 1 3/8"	120 / 180	92"	86"	76"	97 x 35 x 25

**NOMINAL BTUH BASED ON R-410A REFRIGERANT, 45°F SUCTION TEMPERATURE, 100°F LIQUID TEMPERATURE, AND 8-10°F SUPER HEAT.

- OPTIONS:**
- SCH 80 SHELL CONSTRUCTION.
 - 316 STAINLESS STEEL STAND AND HARDWARE.

NOTES:

- WATER INLET TEMPERATURE: MAX 90 °F. MINIMUM 40 °F.
- FOR WATER TEMPERATURE BELOW 55 °F USE THE NEXT LARGER HEAT EXCHANGER.
- FOR TEMPERATURES BELOW 50 F, USE LOW AMBIENT DISCHARGE HEAD PRESSURE FAN CONTROL.
- 50 PSI MAXIMUM WATER PRESSURE AND 500 PSI MAXIMUM REFRIGERANT PRESSURE.
- OUTDOOR MATCHED CONDENSING UNITS ALSO AVAILABLE.
- ALL DIMENSIONS ARE APPROXIMATE AND MAY CHANGE AT ANY TIME.
- FIELD WIRING: INSTALL 24V 18/3 AWG WIRE FROM OUTDOOR CONDENSING UNIT TO THE CONTROLLER ON INDOOR HEAT EXCHANGER.
- MODELS HX-150-DX AND HX-240-DX COME STANDARD WITH DUAL CIRCUITS.
- MODELS HX-120-DX AND HX-180-DX ARE AVAILABLE WITH DUAL REFRIGERANT CIRCUITS UPON REQUEST.



9558 Camino Ruiz, San Diego, CA 92126

DRAWING # PDF-0041 SHEET TITLE HX-120-DX THRU HX-240-DX SPECIFICATIONS

* COPYRIGHT *
 These drawings including design idea and construction techniques herein are the sole property of Aquo Logic Inc. They shall not be revised, copied, or reproduced in any manner without the written consent of Aquo Logic Inc.

DESCRIPTION	DRAWN BY	DATE	REVISION	SCALE	SHEET #
DIRECT EXPANSION HEAT EXCHANGERS	Arnaldo Guzman	8/28/2018	A	1:20	1 OF 1