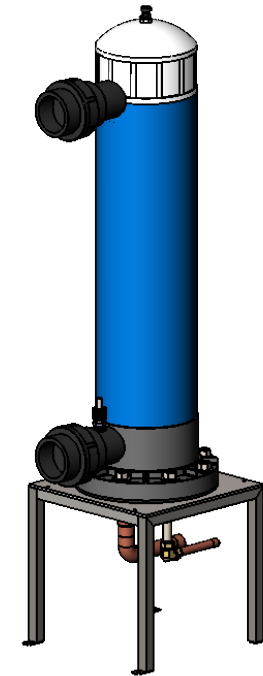
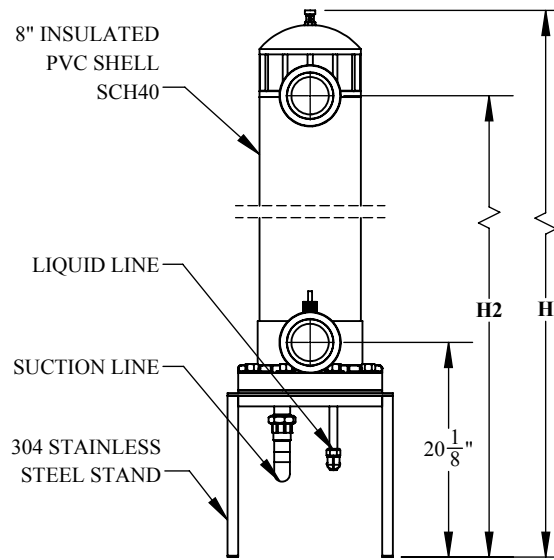
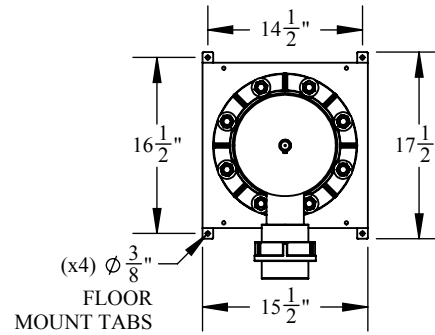
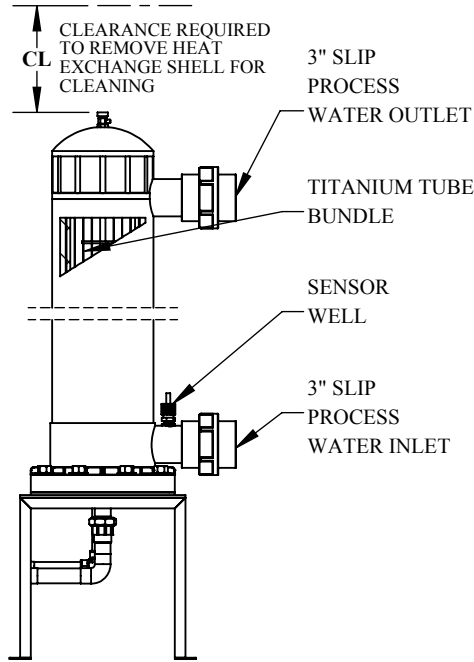


HX-120-S THRU HX-240-S SPECIFICATION

FOR FRESH AND SALT WATER APPLICATIONS



HEAT EXCHANGER SPECIFICATIONS								
MODEL NO.	TONS	**NOMINAL BTUH / KW	REFRIGERANT CONNECTION NO. OF CIRCUITS INLET / OUTLET (ODF)	WATER FLOW RATE (GPM)	H	H2	CL	SHIPPING DIMENSIONS (IN.)
HX-120-S	10	120K / 35	1 @ 5/8" / 1 3/8"	120 / 180	62"	54"	46"	67 x 35 x 25
HX-150-S	12.5	150K / 43.9	2 @ 1/2" / 1 1/8"	120 / 180	68"	62"	56"	73 x 35 x 25
HX-180-S	15	180K / 51.2	1 @ 5/8" / 1 5/8"	120 / 180	80"	74"	64"	85 x 35 x 25
HX-240-S	20	240K / 65.3	2 @ 1/2" / 1 3/8"	120 / 180	92"	86"	76"	97 x 35 x 25

**NOMINAL BTUH BASED ON R-410A REFRIGERANT, 45°F SUCTION TEMPERATURE, 100°F LIQUID TEMPERATURE, AND 8-10°F SUPER HEAT.

OPTIONS:

- SCH 80 SHELL CONSTRUCTION.
- 316 STAINLESS STEEL STAND AND HARDWARE.
- FLOW SWITCH.

NOTES:

- WATER INLET TEMPERATURE: MAX 90 °F. MINIMUM 38 °F.
- FOR WATER TEMPERATURE BELOW 55 °F USE THE NEXT LARGER HEAT EXCHANGER (HX-120-S THRU HX-180-S).
- 50 PSI MAXIMUM WATER PRESSURE AND 500 PSI MAXIMUM REFRIGERANT PRESSURE.
- OUTDOOR MATCHED CONDENSING UNITS ALSO AVAILABLE.
- ALL DIMENSIONS ARE A APPROXIMATE AND MAY CHANGE AT ANY TIME.
- MODELS HX-150-S AND HX-240-S COME STANDARD WITH DUAL CIRCUITS.
- MODELS HX-120-S AND HX-180-S ARE AVAILABLE WITH DUAL REFRIGERANT CIRCUITS UPON REQUEST.



9558 Camino Ruiz, San Diego, CA 92126

DRAWING # PDF-0041	SHEET TITLE HX-120-S THRU HX-240-S SPECIFICATIONS
DESCRIPTION DIRECT EXPANSION HEAT EXCHANGERS	SCALE 1:20
DRAWN BY A. GUZMAN	SHEET # 1 OF 1
DATE 3/15/2019	REVISION A

* COPYRIGHT *
These drawings including design idea and construction techniques herein are the sole property of Aquo Logic Inc. They shall not be revised, copied, or reproduced in any manner without the written consent of Aquo Logic Inc.