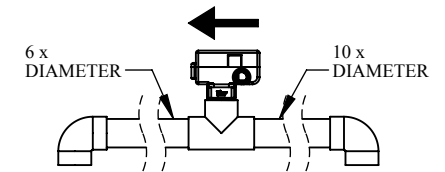
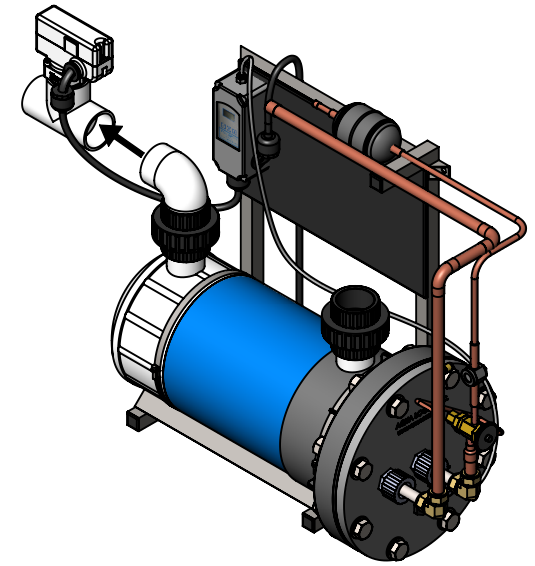
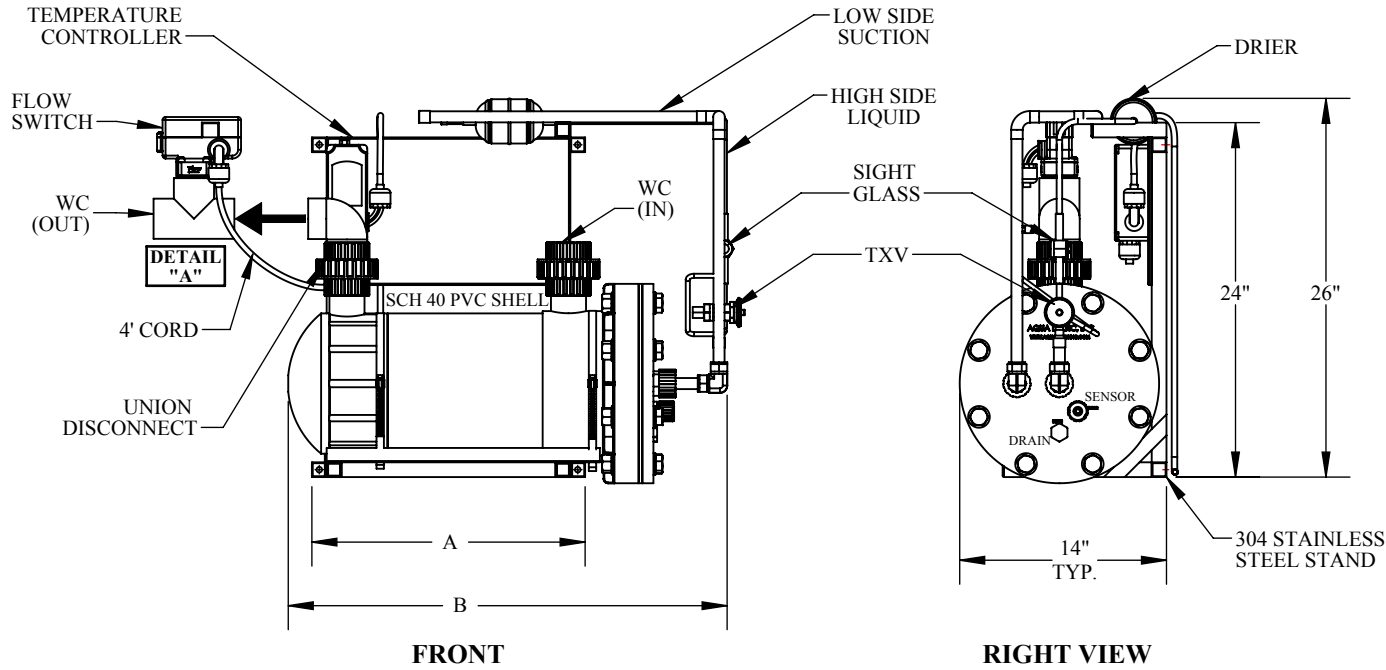


HX-24-DX THRU HX-60-DX SPECIFICATION

FOR INDOOR FRESH AND SALT WATER APPLICATIONS



WC: WATER CONNECTION SIZE

HEAT EXCHANGER SPECIFICATIONS								
MODEL NO.	HP	*NOMINAL BTUH / KW	REFRIGERATION CONNECTION HIGH / LOW (ODF)	WATER FLOW RATE (GPM)	A	B	WC WATER IN / OUT (SOC)	SHIPPING DIMENSIONS (IN.)
HX-24-DX	2	24K / 7	3/8" / 3/4"	20 / 40	18 1/2"	29"	2"	34 x 31 x 20
HX-36-DX	3	36K / 10.5	3/8" / 3/4"	20 / 40	26"	36"	2"	41 x 31 x 20
HX-48-DX	4	48K / 14	3/8" / 7/8"	30 / 60	33 1/2"	45"	2"	50 x 31 x 20
HX-60-DX	5	60K / 17.5	3/8" / 7/8"	30 / 60	41"	52"	2"	57 x 31 x 20

***NOTE:**

- *NOMINAL BTUH CAN VARY, CONSULT AQUA LOGIC FOR ACCURATE SIZING FOR SPECIFIC APPLICATION.
- BTUH RATING IS BASED ON USE OF R-410A REFRIGERANT.
- FOR WATER TEMPERATURE 55°F AND BELOW WATER FLOW RATE MUST BE CLOSE TO THE MAXIMUM.
- FIELD WIRING: INSTALL 24V 18/3 AWG WIRE BETWEEN CONDENSER AND HEAT EXCHANGER.
- ALL DIMENSIONS ARE APPROXIMATE AND MAY CHANGE AT ANY TIME.

**** IMPORTANT! *
*DETAIL "A"***

- FLOW SWITCH MUST BE FIELD INSTALLED HORIZONTALLY WITH NO LESS THAN 10 TIMES THE DIAMETER OF STRAIGHT PIPE ON THE INLET SIDE AND NO LESS THAN 6 TIMES THE DIAMETER ON THE OUTLET SIDE.

OPTIONS:

- SCH 80 AND CPVC MATERIAL SHELL CONSTRUCTION.
- 316 STAINLESS STEEL STAND.
- 316 STAINLESS STEEL HARDWARE.



9558 Camino Ruiz, San Diego, CA 92126

DRAWING # PDF-0010	SHEET TITLE HX-24-DX THRU HX-60-DX SPECIFICATIONS			
	DESCRIPTION DIRECT EXPANSION HEAT EXCHANGERS	DRAWN BY Arnaldo Guzman	DATE 11/12/2015	REVISION
	SCALE 1:12	SHEET # 1 OF 1		

* COPYRIGHT *
These drawings including design idea and construction techniques herein are the sole property of Aqua Logic Inc. They shall not be revised, copied, or reproduced in any manner without the written consent of Aqua Logic Inc.