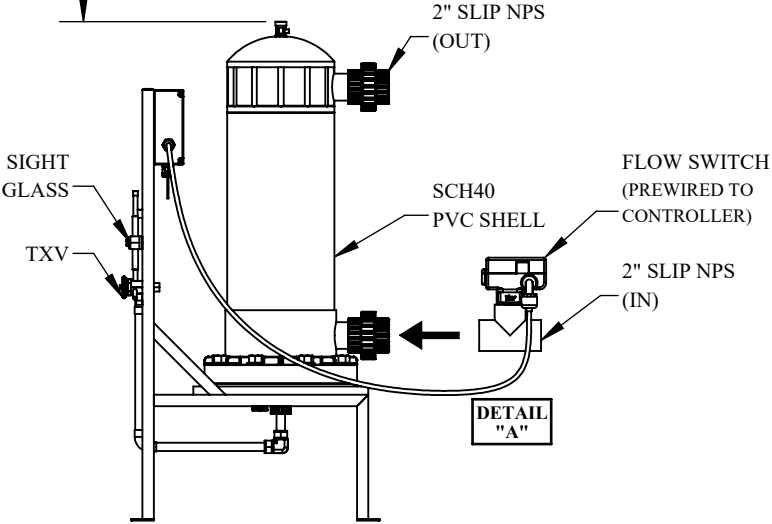


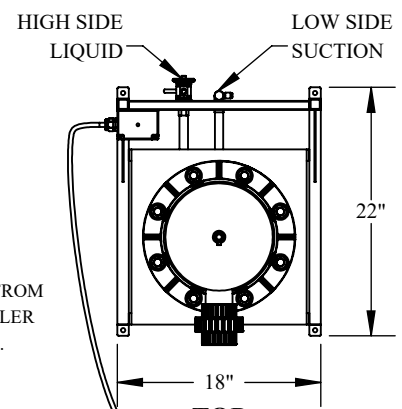
HX-24-DXV THRU HX-60-DXV SPECIFICATION

FOR INDOOR FRESH AND SALT WATER APPLICATIONS

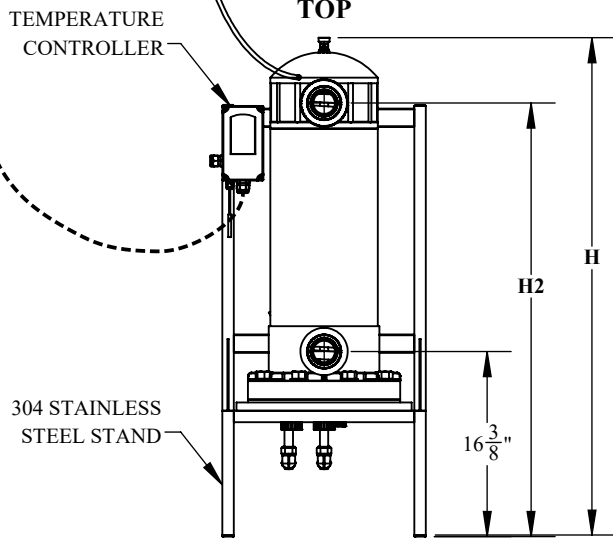


FRONT

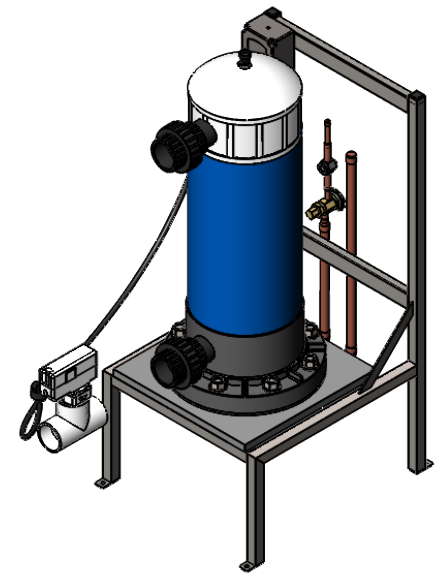
TEMPERATURE CONTROL WIRE
 FIELD WIRING: INSTALL 24VAC 18/3 AWG WIRE FROM OUTDOOR CONDENSING UNIT TO THE CONTROLLER ON INDOOR HEAT EXCHANGER (EVAPORATOR).



TOP



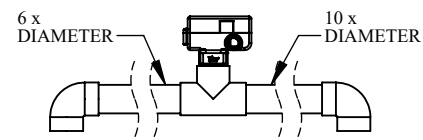
RIGHT VIEW



OPTIONS:
 · SCH 80 PVC MATERIAL SHELL CONSTRUCTION.
 · 316 STAINLESS STEEL STAND & HARDWARE.

HEAT EXCHANGER SPECIFICATIONS							
MODEL NO.	HP	*NOMINAL BTUH / KW	REFRIGERATION CONNECTION HIGH / LOW (ODF)	WATER FLOW RATE (GPM)	H	H2	CL
HX-24-DXV	2	24K / 7	3/8" / 3/4"	20 / 40	37 3/8"	31 3/8"	25 1/2"
HX-36-DXV	3	36K / 10.5	3/8" / 3/4"	20 / 40	44 3/8"	38 3/8"	33 1/2"
HX-48-DXV	4	48K / 14	3/8" / 7/8"	30 / 60	52 3/8"	46 3/8"	40 1/2"
HX-60-DXV	5	60K / 17.5	3/8" / 7/8"	30 / 60	59 1/2"	53 7/8"	48"

***NOTE:**
 *NOMINAL BTUH CAN VARY, CONSULT AQUA LOGIC FOR ACCURATE SIZING FOR SPECIFIC APPLICATION.
 · BTUH RATING IS BASED ON USE OF R-410A REFRIGERANT.
 · FOR WATER TEMPERATURE 55°F AND BELOW WATER FLOW RATE MUST BE CLOSE TO THE MAXIMUM.
 · FIELD WIRING: INSTALL 24V 18/3 AWG WIRE BETWEEN CONDENSER AND HEAT EXCHANGER.
 · ALL DIMENSIONS ARE A APPROXIMATE AND MAY CHANGE AT ANY TIME.



**** IMPORTANT! ****
·DETAIL "A"
 · FLOW SWITCH MUST BE FIELD INSTALLED HORIZONTALLY WITH NO LESS THAN 10 TIMES THE DIAMETER OF STRAIGHT PIPE ON THE INLET SIDE AND NO LESS THAN 6 TIMES THE DIAMETER ON THE OUTLET SIDE.



9558 Camino Ruiz, San Diego, CA 92126

* COPYRIGHT * These drawings including design idea and construction techniques herein are the sole property of Aqua Logic Inc. They shall not be revised, copied, or reproduced in any manner without the written consent of Aqua Logic Inc..		DESCRIPTION DIRECT EXPANSION HEAT EXCHANGERS A		DRAWING # PDF-0010	SHEET TITLE HX-24-DXV THRU HX-60-DXV SPECIFICATIONS
DRAWN BY	DATE 5/24/2021	REVISION	SCALE 1:12	SHEET # 1 OF 1	