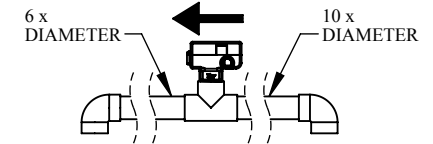
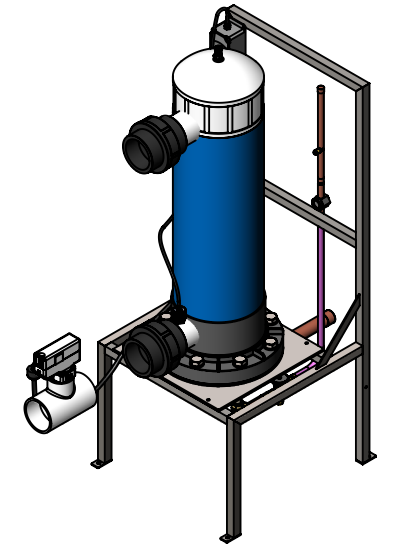
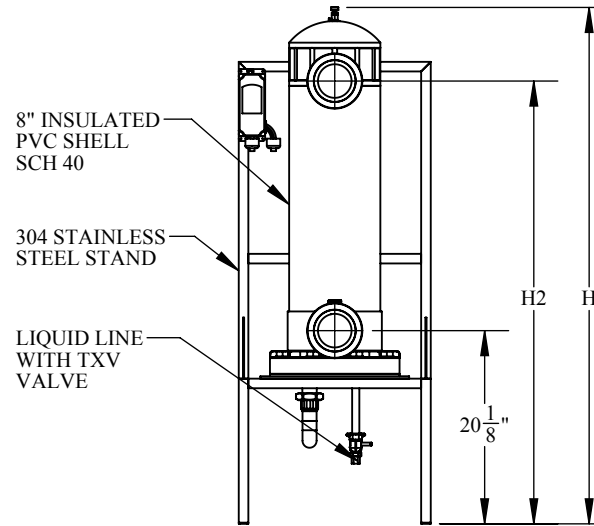
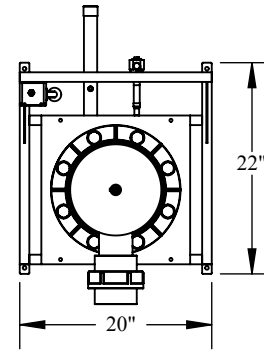
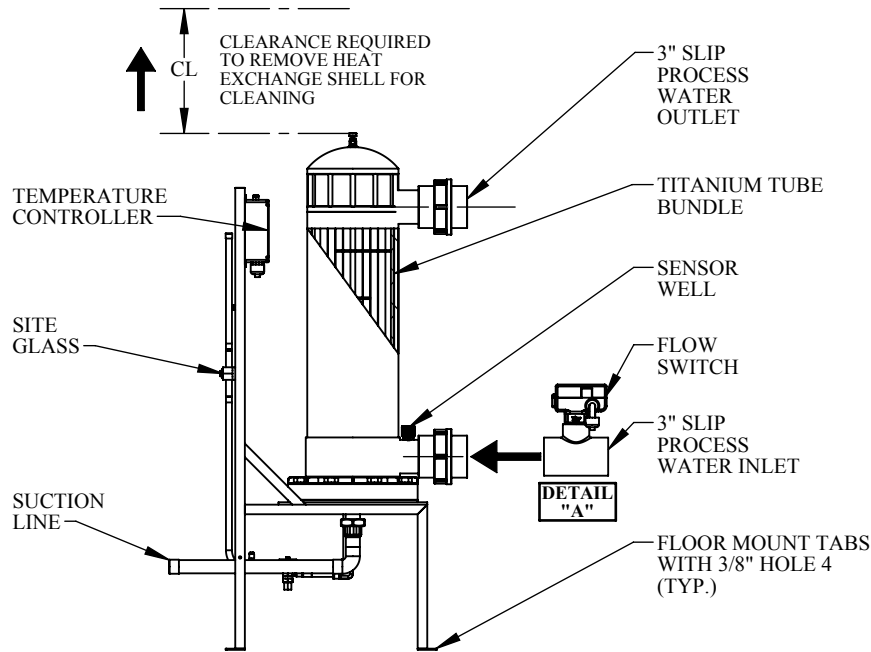


# HX-90-DXHP THRU HX-240-DXHP SPECIFICATION

FOR INDOOR FRESH AND SALT WATER APPLICATIONS



**\*\* IMPORTANT! \*\***  
**·DETAIL "A"**  
 · FLOW SWITCH MUST BE FIELD INSTALLED HORIZONTALLY WITH NO LESS THAN 10 TIMES THE DIAMETER OF STRAIGHT PIPE ON THE INLET SIDE AND NO LESS THAN 6 TIMES THE DIAMETER ON THE OUTLET SIDE.

HEAT EXCHANGER SPECIFICATIONS

MODEL NO.	TONS	**NOMINAL BTUH / KW	REFRIGERANT CONNECTION NO. OF CIRCUITS INLET / OUTLET (ODF)	WATER FLOW RATE (GPM)	H	H2	CL	SHIPPING DIMENSIONS (IN.)
HX-90-DXHP	7.5	90K / 28	1 @ 5/8" / 1 3/8"	100 / 180	52"	46"	36"	57 x 35 x 25
HX-120-DXHP	10	120K / 35	1 @ 5/8" / 1 3/8"	100 / 180	62"	56"	46"	67 x 35 x 25
HX-150-DXHP	12.5	150K / 43.9	2 @ 1/2" / 1 1/8"	100 / 180	68"	62"	56"	73 x 35 x 25
HX-180-DXHP	15	180K / 51.2	1 @ 5/8" / 1 5/8"	100 / 180	80"	74"	64"	85 x 35 x 25
HX-240-DXHP	20	240K / 65.3	2 @ 1/2" / 1 3/8"	100 / 180	92"	86"	76"	97 x 35 x 25

\*\*NOMINAL BTUH BASED ON R-410A REFRIGERANT, 45°F SUCTION TEMPERATURE, 100°F LIQUID TEMPERATURE, AND 8-10°F SUPER HEAT.

\*MINIMUM FLOW RATE AT 65 F AND ABOVE. AT 65 F AND BELOW 120 GPM MINIMUM.

**OPTIONS:**

- SCH 80 SHELL CONSTRUCTION.
- 316 STAINLESS STEEL STAND AND HARDWARE.

**NOTES:**

- WATER INLET TEMPERATURE: MAX 90 °F. MINIMUM 40 °F.
- FOR WATER TEMPERATURE BELOW 55 °F USE THE NEXT LARGER HEAT EXCHANGER.
- FOR TEMPERATURES BELOW 50 F, USE LOW AMBIENT DISCHARGE HEAD PRESSURE FAN CONTROL.
- 50 PSI MAXIMUM WATER PRESSURE AND 500 PSI MAXIMUM REFRIGERANT PRESSURE.
- OUTDOOR MATCHED CONDENSING UNITS ALSO AVAILABLE.
- ALL DIMENSIONS ARE A APPROXIMATE AND MAY CHANGE AT ANY TIME.
- FIELD WIRING: INSTALL 24V 18/4 AWG WIRE FROM OUTDOOR CONDENSING UNIT TO THE CONTROLLER ON INDOOR HEAT EXCHANGER.
- MODELS HX-150-DXHP AND HX-180-DXHP COME STANDARD WITH DUAL CIRCUITS.
- MODELS HX-120-DXHP AND HX-180-DXHP ARE AVAILABLE WITH DUAL REFRIGERANT CIRCUITS UPON REQUEST.



9558 Camino Ruiz, San Diego, CA 92126

DRAWING # PDF-0041	SHEET TITLE HX-90-DXHP THRU HX-240-DXHP SPECIFICATIONS
DESCRIPTION DIRECT EXPANSION HEAT EXCHANGERS	SCALE 1:20
DRAWN BY ARNALDO GUZMAN	DATE 5/20/2015
REVISION	SHEET # 1 OF 1

\* COPYRIGHT \*  
 These drawings including design idea and construction techniques herein are the sole property of Aqua Logic Inc. They shall not be revised, copied, or reproduced in any manner without the written consent of Aqua Logic Inc.