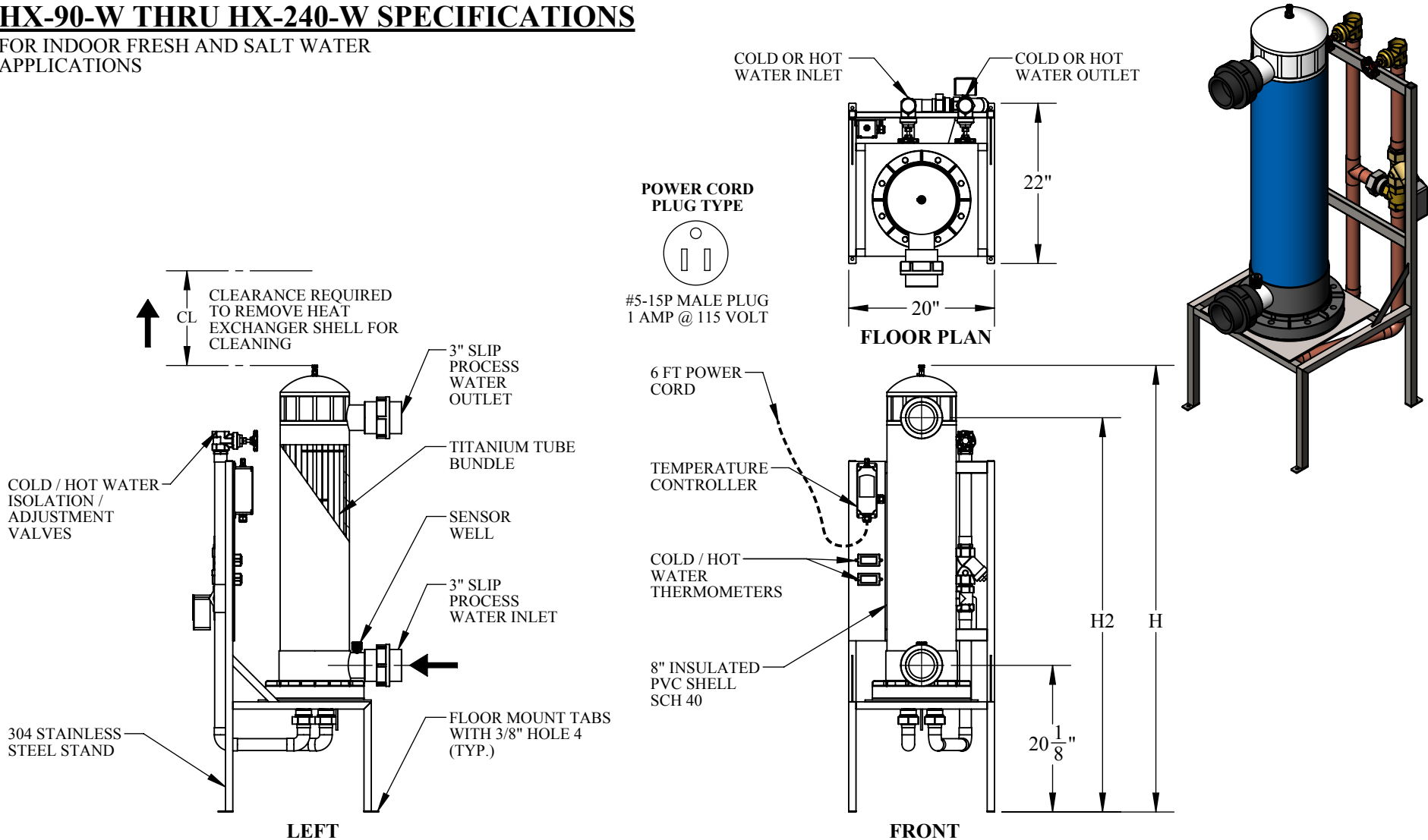


# HX-90-W THRU HX-240-W SPECIFICATIONS

FOR INDOOR FRESH AND SALT WATER APPLICATIONS



WATER TO WATER HEAT EXCHANGER								
MODEL NO.	NOMINAL BTUH / KW	PROCESS WATER FLOW RATE (GPM)	COLD / HOT WATER FLOW RATE (GPM)*	H	H2	CL	COLD / HOT WATER SUPPLY IN / OUT (FPT)	SHIPPING DIMENSIONS
HX-90-W	90K / 28	90	18 / 9	61 1/2"	54 1/8"	46"	1 1/2"	66" x 26" x 24"
HX-120-W	120K / 35	120	24 / 12	61 1/2"	54 1/8"	46"	1 1/2"	66" x 26" x 24"
HX-180-W	180K / 51.2	145	36 / 18	78 1/2"	71 1/2"	63"	1 1/2"	86" x 26" x 24"
HX-240-W	240K / 65.3	180	48 / 24	90 1/2"	83 1/2"	78"	1 1/2"	96" x 26" x 24"

**\*NOTE:**  
 \*FLOW RATE (GPM) AND (BTU) RATING IS BASED ON 40°F EWT @ 5°F ΔT (COLD) OR 160 °F EWT @ 20 °F ΔT (HOT) WATER SUPPLY.  
 \* CONTACT AQUA LOGIC FOR SIZING IF, PARAMETERS DIFFER FROM ABOVE.  
 \* ALL DIMENSIONS ARE AN APPROXIMATION AND CAN CHANGE AT ANY TIME.  
 \* SPECIFY 2-WAY OR 3-WAY BALL VALVE.

- OPTIONS:**
- SCH 80 PVC HEAT EXCHANGER.
  - SCH 40 OR SCH 80 CPVC HEAT EXCHANGER (CPVC RECOMMENDED FOR ALL HOT WATER APPLICATIONS WHERE HOT WATER FEED EXCEEDS 130°F).
  - 316 STAINLESS STEEL STAND AND HARDWARE.
  - 2-WAY MOTORIZED BALL VALVE

<p>* COPYRIGHT *                  These drawings including design idea and construction techniques herein are the sole property of Aqua Logic Inc. They shall not be revised, copied, or reproduced in any manner without the written consent of Aqua Logic Inc.</p>		<p>DESCRIPTION                  WATER TO WATER HEAT EXCHANGER</p>		<p>DRAWING #</p>		<p>SHEET TITLE                  HX-90-W THRU HX-240-W SPECIFICATIONS</p>	
<p>DRAWN BY                  Arnaldo Guzman</p>	<p>DATE                  2/4/2016</p>	<p>REVISION                  A</p>	<p>SCALE                  1:20</p>	<p>SHEET #                  1 OF 1</p>			



9558 Camino Ruiz, San Diego, CA 92126