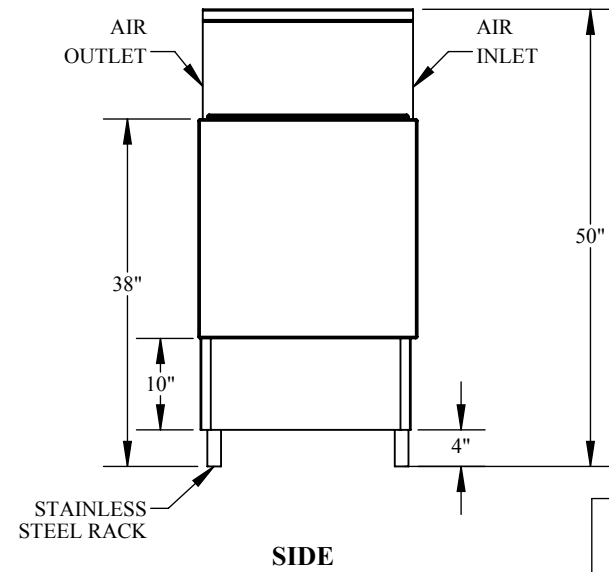
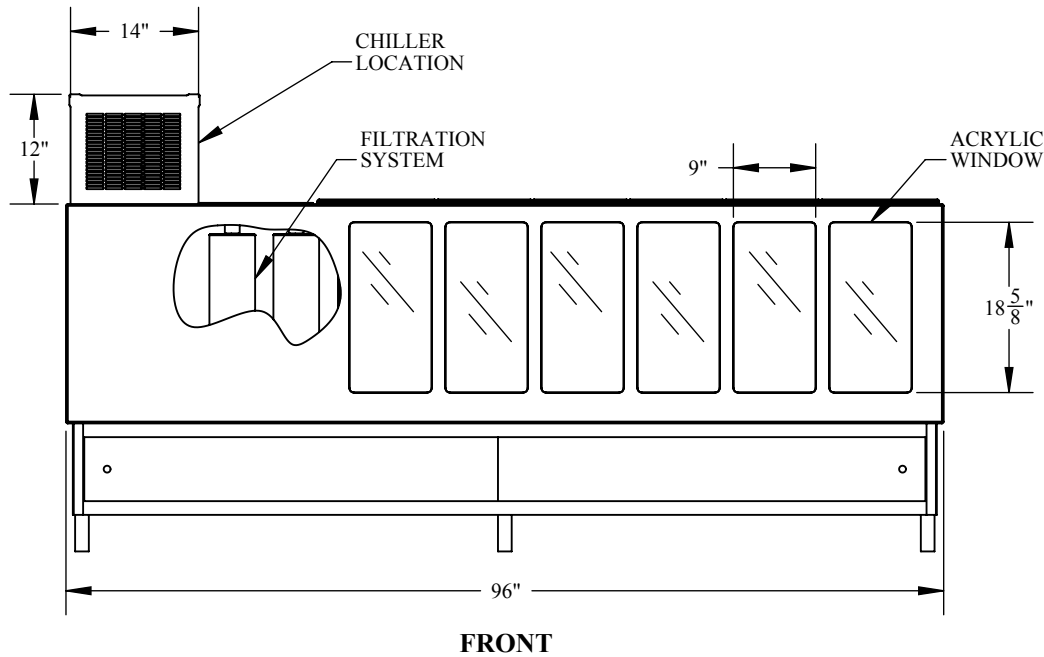
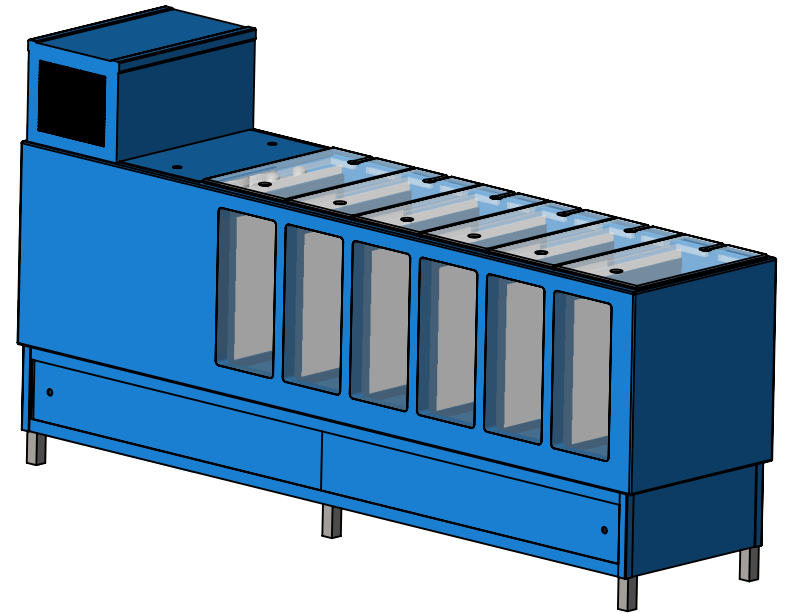
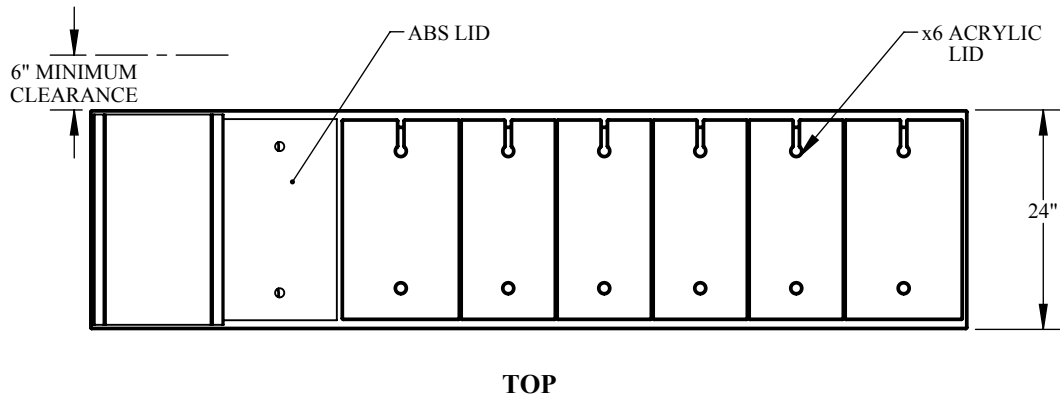


# ALBT-86



- CHILLER 1/3 HP 115V 7.2 AMPS
- SUBMERSIBLE WATER PUMP 115V .82 AMPS

**NOTES:**

- TANK REQUIRES A DEDICATED 115 VOLT 15 AMP OUTLET CIRCUIT.
- ALL DIMENSIONS ARE APPROXIMATE AND CAN CHANGE WITHOUT NOTICE.



9558 Camino Ruiz, San Diego, CA 92126

DRAWING # PDF-0502		SHEET TITLE <b>ALBT-86 SPECIFICATIONS</b>		
DESCRIPTION BAIT TANKS	DRAWN BY Arnaldo Guzman	DATE 11/20/2015	REVISION	SCALE 1 OF 1

\* COPYRIGHT \*  
These drawings including design idea and construction techniques herein are the sole property of Aqua Logic Inc. They shall not be revised, copied, or reproduced in any manner without the written consent of Aqua Logic Inc.