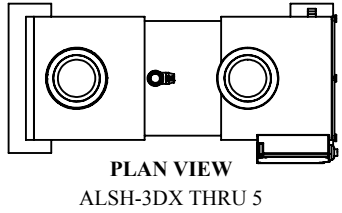


ALSH-3DX THRU 8 UV STERILIZERS



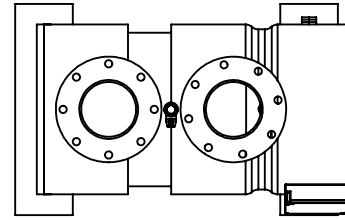
PLAN VIEW
ALSH-3DX THRU 5

POWER CORD
PLUG TYPE

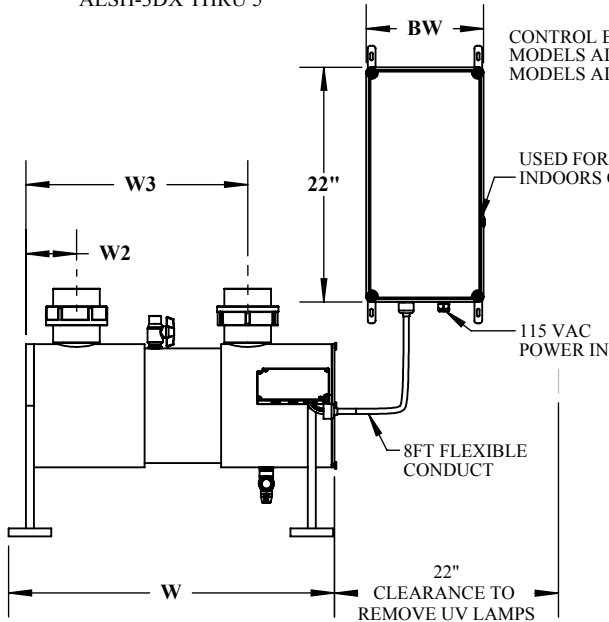
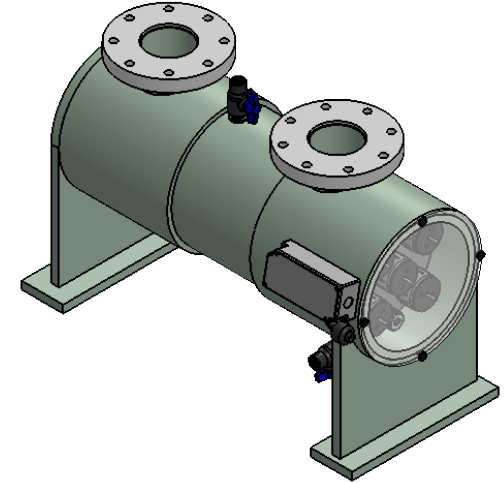


115V 15 AMP
#5-15P

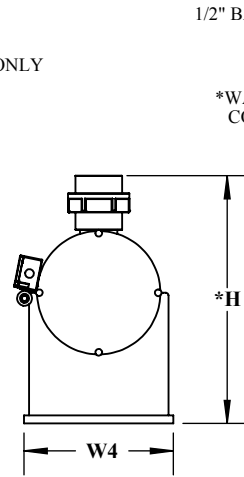
CONTROL BOX WIDTH (BW)
MODELS ALSV-H-3 THRU 4, 11" WIDE
MODELS ALSV-H-5 THRU 8, 15" WIDE



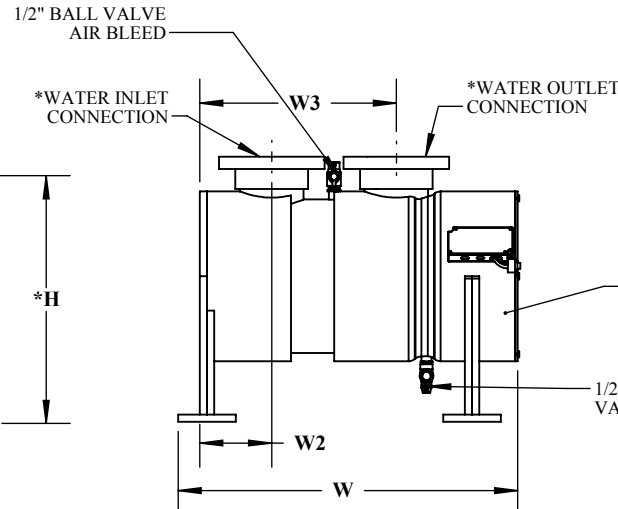
PLAN VIEW
ALSH-6DX & 8



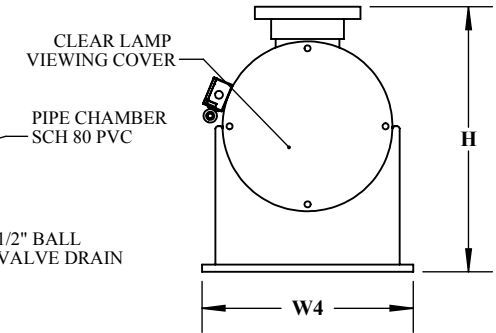
FRONT
ALSH-3DX THRU 5



RIGHT
ALSH-3DX THRU 5



FRONT
ALSH-6DX & 8



RIGHT
ALSH-6DX & 8

***REPLACE UV LAMP EVERY 11 MONTHS**
REPLACEMENT UV LAMP PART#: UV-BULB-095W-2

ALSV-H UV STERILIZER SPECIFICATIONS														
MODEL NO.	NO. OF LAMP / WATTS	VOLTS	AMPS / WATTS	W	W2	W3	W4	*H	*STANDARD WATER IN / OUT WATER CONNECTIONS	MAXIMUM WATER FLOW RATE (GPM) AT UV INTENSITY $\mu\text{Wsec}/\text{cm}^2$ @ 90% TRANSMISSIBILITY 85% AT END OF LAMP LIFE				
										30K	45K	60K	90K	120K
ALSH-3DX	3 / 285	115	2.5 / 287	30 1/2"	4 3/4"	20 3/4"	15"	23 1/4"	3" UNION	151	101	76	50	38
ALSH-4DX	4 / 380	115	3 / 345	30 1/2"	4 3/4"	20 3/4"	15"	23 1/4"	3" UNION	213	142	106	71	53
ALSH-5DX	5 / 475	115	4.5 / 517	30 1/2"	5 1/2"	21 5/8"	15"	20 5/8"	4" FLANGE	282	188	141	94	70
ALSH-6DX	6 / 570	115	5.4 / 621	35 7/8"	7 1/2"	21"	22"	27 3/4"	6" FLANGE	372	248	186	124	93
ALSH-8DX	8 / 760	115	7.2 / 828	35 7/8"	7 1/2"	21"	22"	27 3/4"	6" FLANGE	533	355	266	177	133

NOTES:
 • SHADED AREAS HAVE WATER VELOCITIES GREATER THAN 5 FT / SEC.
 • CONTACT AQUA LOGIC FOR LARGER CONNECTION SIZES.

DX MODEL INCLUDES:

- POWER ON / OFF SWITCH.
- POWER AND OVER TEMPERATURE LED INDICATORS LIGHTS.
- LCD HOUR METER.
- OVER TEMPERATURE AIR AND WATER CUTOUPS.
- NEMA 4X RATED CONTROL BOX.
- INDIVIDUAL LAMP INDICATOR LIGHTS.
- UL-508A RATED CONTROL BOX. (OPTIONAL)

***NOTES:**

- FLOW RATES BASED ON "END OF LIFE", LAMP OUTPUT OF 85% AT 9000 HOURS.
- ALL DIMENSIONS ARE APPROXIMATE AND SUBJECT TO CHANGE WITHOUT NOTICE.
- ALL UNITS 50 PSIG MAXIMUM OPERATING PRESSURE.
- OTHER WATER CONNECTIONS SIZES ARE AVAILABLE.

* COPYRIGHT *
 These drawings including design idea and construction techniques herein are the sole property of Aqua Logic Inc. They shall not be revised, copied, or reproduced in any manner without the written consent of Aqua Logic Inc.

DESCRIPTION
AQUA LOGIC ULTRAVIOLET STERILIZERS

DRAWN BY **DATE** **REVISION**
 _____ 10/3/2018 _____



9558 Camino Ruiz, San Diego, CA 92126

DRAWING # **SHEET TITLE**

ALV-H-3 THRU 8
UV SPECIFICATIONS

SCALE **SHEET #**
 _____ 1 OF 1