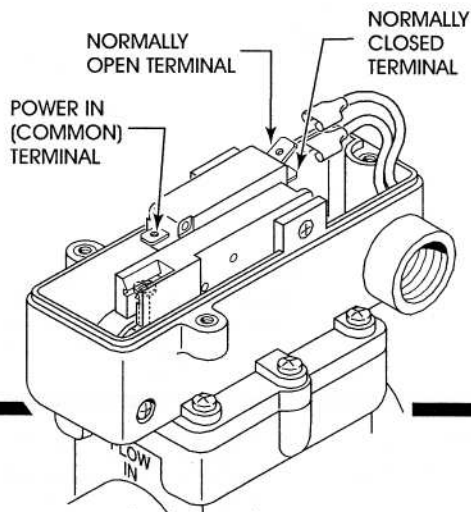
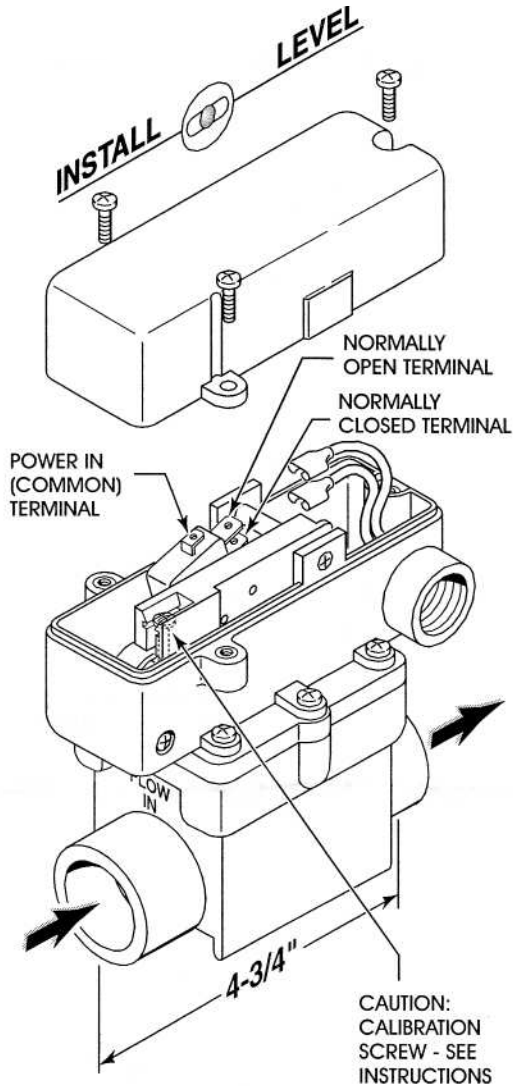


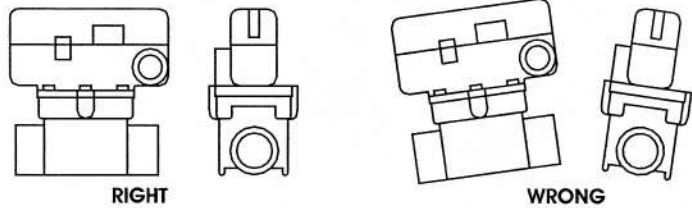
FLOWSWITCH INSTRUCTIONS

Models: FS-1, FS-1.5-15, FS-1.5-20, FS-1.5-230 and FS-2



SWITCH INSTALLATION:

1. Inspect Flowswitch for any damage that may have occurred during shipping.
2. Note the port marking on the Flowswitch housing - Flow In and Flow Out.
3. For proper operation the Flowswitch must be mounted horizontally and level.



4. Use the Flowswitch in filtered liquids only - to prevent foreign objects from interfering with the Flowswitch operation.
5. Install filter or strainer before Flowswitch to prevent the risk of sand and/or debris from interfering with the Flowswitch operation.
6. When a chlorine generator is to be used in plumbing system - the generator must be installed down stream and away from Flowswitch - chlorine will attack Titanium parts.
7. Caution when cementing Flowswitch into plumbing system - PVC cement must not enter the inlet port and cause interference with Flowswitch operation.
8. Use an IAPMO, NSF, or ASTM approved or listed PVC cement and follow manufacturers instructions for use.
9. A 1/2 Inch threaded socket is provided to accept either a cord restraint or flex conduit. You must check and use local and/or national electric codes for your application.
Note: Do not use rigid conduit.

ELECTRICAL CONNECTION: (Model FS-2 only)

10. Remove cover by unscrewing the three cover screws.
11. Use push-on "Quick Connect" (0.032 X 0.250) connectors to attach wires to the switch terminals.
12. Route all wires on the top side of the switch to prevent wires from interfering with the switch operation.
13. Replace cover and hand tighten the three cover screws.

NOTE: N.O. = Normally Open (LOAD) Terminal. Connect to power IN on device to be switched if you want this device to be energized when water flows through the Flowswitch at its set point.

FACTORY SETTINGS:

All Flowswitches are factory set at the lowest set point "GPM" that each Flowswitch can safely be set at.

CAUTION: Do not screw the calibration screw down - this may cause the flowswitch to stick in the ON position.

Aqua Logic, Inc.

9558 Camino Ruiz, San Diego, CA. 92126

Ph: 858.292.4773 Fax: 858.279.0537 Web-site: www.aqualogicinc.com

Rev 12/8/17