

---

# WATER FLOWSWITCH

---

## AQUA LOGIC - 2" & 3" Water Flow switch Models FS-2 & FS-3

7/1/15



### Specifications:

- Model FS-2 & 3, 25 AMP, Set Point ON is adjustable from 30 GPM and up. Can Switch Motors Up to 1 HP, 125 VAC & 2 HP, 250 VAC
- 1/2" Electrical Conduit Connection
- Standard 2" & 3" PVC Slip Fittings
- Line Pressure to 100 PSI
- Temperature to 110°F Continuous
- Wetted Surfaces - PVC, Polypropylene & Titanium
- **Good for both Saltwater and Freshwater applications.**

### Typical Uses Include:

#### Equipment Protection:

- Chillers
- Heaters
- Solar Systems
- Pumps

### Water Treatment:

- Ozone Generators
- Ultraviolet Systems

---

AQUA LOGIC, INC.

9558 Camino Ruiz

San Diego, CA. 92126

Ph: 858.292.4773 Fax: 858.279.0537

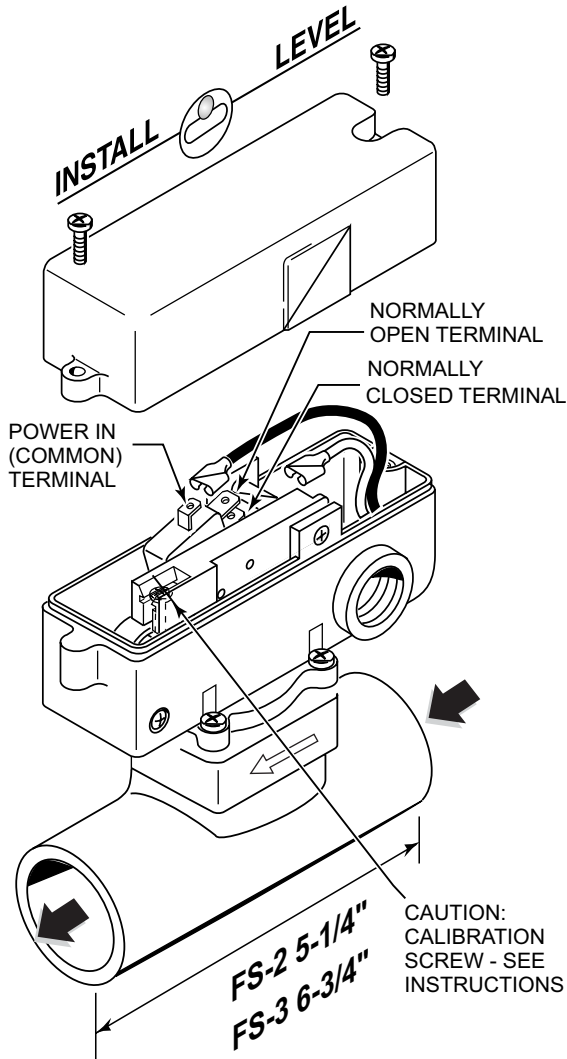
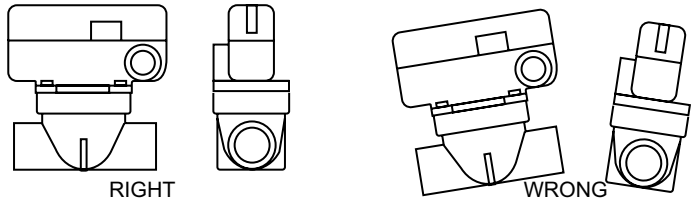
Website: [www.aqualogicinc.com](http://www.aqualogicinc.com) e-mail: [info@aqualogicinc.com](mailto:info@aqualogicinc.com)

# INSTRUCTIONS

## MODELS FS-2 & FS-3

### SWITCH INSTALLATION:

1. Inspect Flowswitch for any damage that may have occurred during shipping.
2. Note the water flow marking on the Flowswitch housing.
3. For proper operation the Flowswitch must be mounted horizontally and level with at least **10 times the diameter of straight pipe on the water inlet and 3 times the diameter on the water outlet.**



4. Use the Flowswitch in filtered liquids only - to prevent foreign objects from interfering with the Flowswitch operation.
5. Install filter or strainer before Flowswitch to prevent the risk of sand and/or debris from interfering with the Flowswitch operation.
6. Caution when cementing Flowswitch into plumbing system - PVC cement must not enter the inlet port and cause interference with Flowswitch operation.
7. Use an IAPMO, NSF, or ASTM approved or listed PVC cement and follow manufacturers instructions for use.

### ELECTRICAL CONNECTION:

Note: Do not use rigid conduit.

8. A 1/2 Inch threaded socket is provided to accept either a cord restraint or flex conduit. You must check and use local and/or national electric codes for your application.
9. Remove cover by unscrewing the two cover screws.
10. Use push-on "Quick Connect" (0.032 X 0.250) connectors to attach wires to the switch terminals (USE stranded, not sold wire).
11. Route all wires on the top side of the switch to prevent wires from interfering with the switch operation.
12. Replace cover and hand tighten the two cover screws.
13. **CAUTION** Never connect a ground or neutral wire to the switch terminal or terminals. This will cause the switch to be damaged and possible fire hazard.

**NOTE:** N.O. = Normally Open (LOAD) Terminal. Connect to power IN on device to be switched if you want this device to be energized when water flows through the Flowswitch at its set point.

### FACTORY SETTINGS:

The 3" flow switches are factory set at 100 GPM turn on and ~90 GPM turn off point. The 2" flow switch are factory set at 35 GPM on and ~25 GPM turn off point.

**CAUTION:** Do not screw the calibration screw down - this may cause the flowswitch to stick in the ON position.

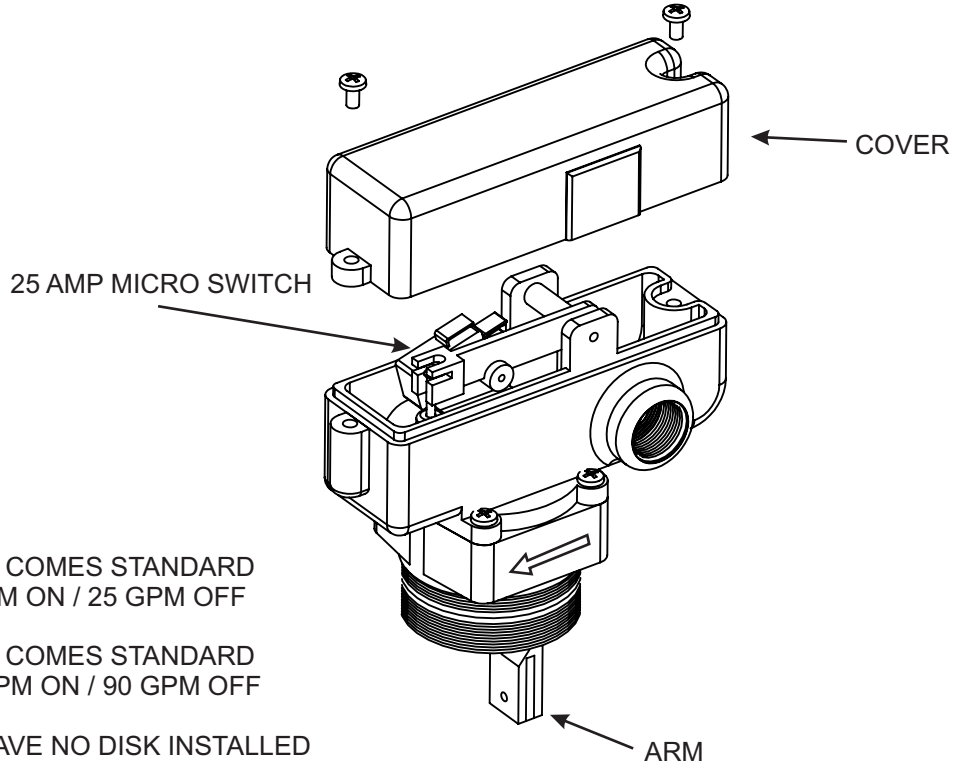
AQUA LOGIC, INC.

9558 Camino Ruiz  
San Diego, CA. 92126

Ph: 858.292.4773 Fax: 858.279.0537

Website: [www.aqualogicinc.com](http://www.aqualogicinc.com) e-mail: [info@aqualogicinc.com](mailto:info@aqualogicinc.com)

## FS-2 and FS-3 PARTS



NOTE: FS-2 FLOW SWITCH COMES STANDARD  
PRESET FOR 30 GPM ON / 25 GPM OFF

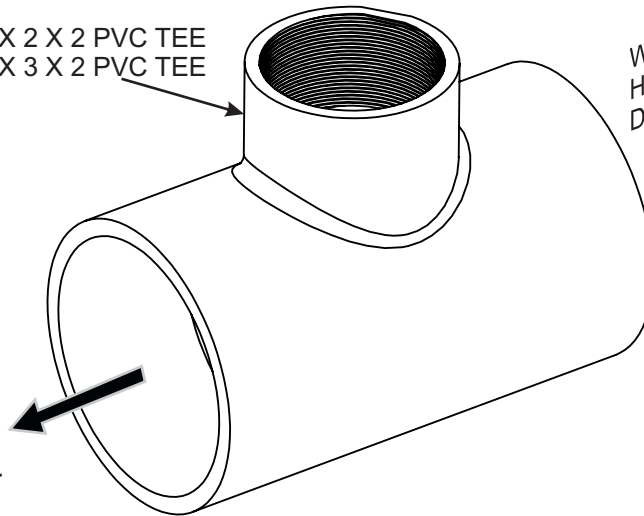
FS-3 FLOW SWITCH COMES STANDARD  
PRESET FOR 100 GPM ON / 90 GPM OFF

BOTH SWITCHES HAVE NO DISK INSTALLED  
ON THE ARM.

FS-2, 2 X 2 X 2 PVC TEE  
FS-3, 3 X 3 X 2 PVC TEE

**WATER INLET MUST  
HAVE AT LEAST 10 TIMES THE  
DIAMETER OF STRAIGHT PIPE.**

**WATER OUTLET MUST  
HAVE AT LEAST 6 TIMES THE  
DIAMETER OF STRAIGHT PIPE.**



AQUA LOGIC, INC.

9558 Camino Ruiz.

San Diego, CA. 92126

Ph: 858.292.4773 Fax: 858.279.0537

Website: [www.aqualogicinc.com](http://www.aqualogicinc.com) e-mail: info@aqualogicinc.com