

Visit our website to see more of our products.

www.AquaLogicInc.com



Inline Titanium heaters
1 kW thru 60 kW



Safety water flow
cutout switches
1" thru 3" pipe



TLC Trimline Cyclone Drop-
in coil water chillers -1/4
and 1/3 HP



Delta-Star inline water
chillers. -1/4 thru 1-1/2 HP



Aqua Logic, Inc.
9558 Camino Ruiz.
San Diego, CA. 92126
PH: 858.292.4773
email: info@aqualogicinc.com
www.AquaLogicInc.com

© 2017 Aqua Logic, Inc. Rev 1

DC SERIES DUAL STAGE DIGITAL TEMPERATURE CONTROL INSTRUCTION MANUAL

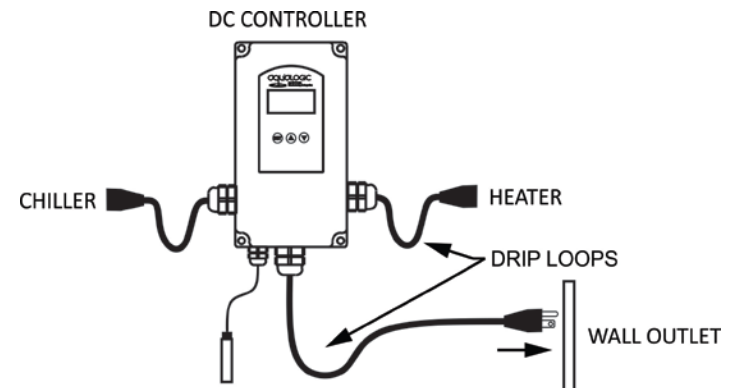
Model No. DC115D

Thank you for purchasing our digital temperature controller. It is designed to provide on/off control for commercial heating and cooling applications. It is equipped with a red LED display that provides a constant readout of the water temperature, and a touch keypad that allows the user to easily and accurately select the setpoint temperature, differential and heating / cooling modes of operation. The control enclosure has an NEMA 4X rating but, if installed outdoors, it should be protected against the direct weather.

Installation.

1. Mount control on a wall or any vertical surface that water can't splash on it.
2. Plug-in the 115V control female plugs from into the male plug of the chiller and heater.
3. Plug-in the 115V control male plug into wall outlet.
4. Install the titanium temperature sensor in your tank or sump.

Note: For your safety, you must plug the control into a dedicated 15 or 20 Amp. GFCI (Ground Fault Interruption Circuit) circuit. When installing the control in a wet area make sure to have the power cords with drip loops so water does not collect around the electrical connections.



Temperature Controller Set-up

This digital controller has been pre-programmed with all the necessary parameters to ensure reliable service and operation. The controller is pre-set from the factory with a temperature range from 30 °F to 100 °F with a display resolution of 1 degree °F and with a 1 °F temperature differential.

Temperature Controller Setpoint Set-up

Note: Always have the chiller set point (Out1) equal or higher than the heater (Out2) set point. DO NOT OVERLAP THESE SET POINTS

To modify the Set Points SP1 and SP2.

Press the “SET” button. OUT1 LED and out1 set value will flash on the display.

Modify the out1 set point value using up arrow ▲ to increase or the down arrow ▼ to decrease the set point.

Press the SET button to store the out1 set point value and advance to out2 set point value.

Modify the out2 set point value using up arrow ▲ to increase or the down arrow ▼ to decrease the set point.

Press the SET button to store the value and return to home screen.



OUT1 Indicates that the chiller and the OUT2 is the heater is energized.

Operation Modes

When in the cooling mode (Out1) the water temperature needs to go above the set point by one degree for it to activate the chiller. It will turn off once the water temperature has reached set point.

In the heating mode (Out2) the water temperature has to go down below the set point by one degree to activate the heater. It will turn off once the water temperature has reached the set point.

Limited Warranty

This controller has a one (1) year limited warranty.

Aqua Logic, Inc. warrants this temperature controller to be free of defects in materials or workmanship for a period of one (1) year from the date of purchase. In the event of a defect or failure of this product, RETURN THE CONTROLLER WITH PROPER PACKAGING along with pre-authorized issued RMA number, proof of purchase and / or a copy of the original bill of sale to the address below, freight prepaid. COD shipments will be refused. After inspection, to ascertain that there is a defect due to material or workmanship and that the product is still under warranty, Aqua Logic will repair or replace the product at our discretion and return ship the unit, Our liability is limited to the cost of defective materials. In no case will Aqua Logic assume liability for consequential damage resulting from any failure. Not covered by this warranty are damage due to corrosion, abuse, accidental, alterations, unreasonable or improper use. Aqua Logic is not liable for payment or field repair work without prior written authorization.

Call or email Aqua Logic for a RMA number.

PH: 858.292.4773

email to: info@aqualogicinc.com

Return the controller to this address below with a copy of the RMA inside the box within 30 days to:

Aqua Logic, Inc.

Attn: Return Dept. RMA# (put your number here)

9558 Camino Ruiz.

San Diego, CA. 92126

Temperature Differential:

When the water has reached the set point temperature, the chiller or heater will switch off and will not switch back on until the water temperature has changed by 1 °F. This value is known as the temperature differential between on and off cycles. Refer to the temperature control parameters table to change the settings.

Display Calibration and Program Parameters

If the displayed water temperature on the control is different from the system water temperature, than an adjustment to the control can be done. The easiest way to calibrate the control is to press and hold the "Set" button for 8 seconds. The parameter "O" will be displayed. Wait 4 seconds. Then press the "SET" button and the "SP1" will be displayed. Use the down ▼ or up ▲ arrow until you see the menu parameter "P1". Then press the "SET" button one time. The display will show "0". Press the up or down arrows to adjust to the temperature offset. Once you have set the correct temperature offset, press "SET" button one more time and then wait 1 minute or press the "SET" and the "DOWN" ▼ arrow buttons at the same time to quit the programming. The display should return to the water temperature. The display should read correct water temperature readout.

See page 3 "TEMPERATURE CONTROL PROGRAMMABLE PARAMETERS TABLE" to change other settings

To adjust other parameters in the control contact Aqua Logic, Inc. for help.

PH: 858.292.4773 or email: info@aqualogicinc.com

TEMPERATURE CONTROL PROGRAMMABLE PARAMETERS TABLE

Parr	Description	Units	Range	Def. Set	Note
SP1	Set Point 1 out1 (CHILLER)	Degrees	r4 to r6	75	
SP2	Set Point 2 out2 (HEATER)	Degrees	r5 to r7	75	
r0	Dependency SP1 – SP2	Range	ind / dep	ind	
r1	Differential for SP1	Degrees	0.1 to 20	1	
r2	Differential for SP2	Degrees	0.1 to 20	1	
r3	Band differential	Degrees	0.1 to 20	1	
r4	Lower value for SP1	Degrees	-99 to r6	30	
r5	Lower value for SP2	Degrees	-99 to r7	30	
r6	Higher value for SP1	Degrees	r4 to 302	100	
r7	Higher value for SP2	Degrees	r5 to 302	100	
r8	Regulation or operating mode	Range	On1/On2/hEU	on1	
A0	Alarm differential	Degrees	0.1 to 20	1	
A1	Maximum alarm probe 1	Degrees	0.1 to 99	100	
A2	Maximum alarm probe 2	Degrees	0.1 to 99	-	
A3	Minimum alarm probe 1	Degrees	0.1 to 99	35	
A5	Alarm verification time	h-m	0.0 to 18	1	
A4	Minimum alarm probe 2	Degrees	0.1 to 99	-	
A6	Alarm probe 1 selection	Range	AHL/Ano/AH/AL	AHL	
A7	Alarm probe 2 selection	Range	AHL/Ano/AH/AL	Ano	
c0	Minimum relay stop time	Minutes	0 to 240	0	
c1	Operation relay 1	Range	dir/inv	Inv	
c2	Operation relay 2	Range	dir/inv	Dir	
c3	Default relay 1	Range	Opn/Clo	Opn	
c4	Default relay 2	Range	Opn/Clo	Opn	
P0	Temperature scale selection	Range	°C / °F	F	
P1	Calibration water probe 1	Degrees	-20 to 20	0	
P2	Calibration water probe 2	Degrees	-20 to 20	0	
P3	Decimal Point	Option	no / yes	yes	
P4	Probe displayed	Option	sd1/sd2	sd1	
P5	Number of probes	Option	1 / 2	1	
H0	Factory reset values	Option	0	0	
H1	Keyboard protection	Option	no / yes	no	
H2	Operation led OUT1	Option	dir/inv	dir	
H3	Operation led OUT2	Option	dir/inv	dir	
H4	Address for serial communicate	Range	0 to 999	0	
H5	Access code to parameters	Range	0 to 999	0	
H6	Probe Type	Option	PTC / NTC	PTC	

Error Messages

In normal operation, the probe temperature will be shown. In case of alarm press the "SET" and the "DOWN" ▼ arrow buttons at the same time to quit the alarm. An error messages will be shown:

- **Err** – Memory error.
- **Erp** – Error of probe not shown on display.
- **AH1** – Maximum temperature alarm.
- **AL1** – Minimum temperature alarm.
- **--** Shorted –circuited probe error
- **oo-** Open probe

OPERATION IN CASE OF ERROR

If the probe or thermostat memory should fail, the chiller and heater will turn off.

SPECIFICATIONS

Probe Range:

PTC: -58 to 302°F (-50 to 150°C).

Input: PTC 1000 Ω @ 77°F (25°C)

Control Type: On/Off.

Power Requirements: 90 to 255 VAC 50 / 60 Hz (±10%)

Power Consumption: 3.6VA.

Accuracy: ±1% Full Scale.

Display: 3 digits plus sign.

Resolution: 1° ≥ 100°.

Memory Backup: Non-volatile memory.

Ambient Temperature: 32 to 104°F (0 to 40°C).

Weight: 2.5 lbs (1134 g).

Front Protection: NEMA 4X (IP66).

Agency Approvals: CE, UL, cUL.

Controller power rating by model number.

Model	Volts / PH	Maximum Chiller size HP or Maximum Heater size Watts
DC115D	115 / 1	Up to -1/2HP and 500 watts

