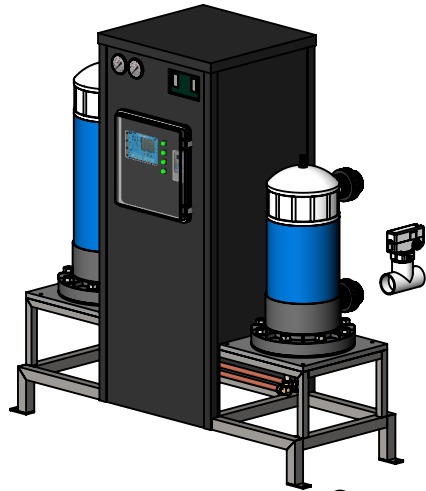
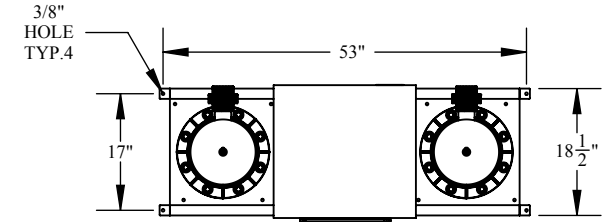


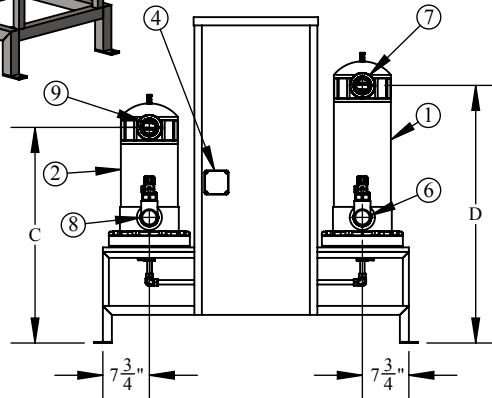
# MT-1 THRU MT-8 WATER COOLED MARINE DUTY



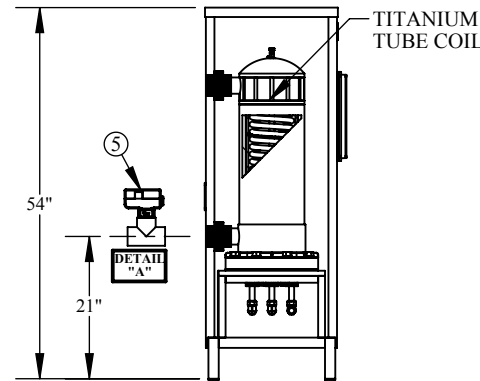
NO.	NAME
1	EVAPORATOR-TITANIUM TUBE / 8" SCH 40 PVC SHELL
2	CONDENSER-TITANIUM TUBE / 8" SCH 40 PVC SHELL
3	TEMPERATURE CONTROLLER / ELECTRICAL CONTROL BOX
4	JUNCTION BOX FOR SUPPLY MAIN POWER
5	WATER FLOW SWITCH (SEE NOTE FOR INSTALLATION)
6	2" NPS SLIP UNION EVAPORATOR WATER INLET
7	2" NPS SLIP UNION EVAPORATOR WATER OUTLET
8	2" NPS SLIP UNION CONDENSER WATER INLET
9	2" NPS SLIP UNION CONDENSER WATER OUTLET
10	LOW / HI REFRIGERANT PRESSURE SAFETY CUTOUT
11	REFRIGERANT PRESSURE GAUGES



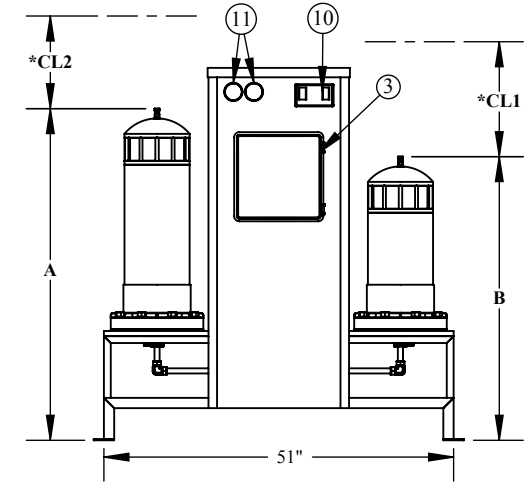
PLAN VIEW



BACK



LEFT



FRONT

\*CL: CLEARANCE FOR CLEANING

## MULTI-TEMP WATER-COOLED CHILLERS

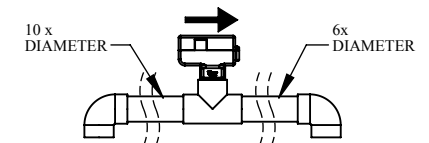
MODEL NO.	NOMINAL TON / BTUH	VOLTS / PHASE	R-410A REFRIGERANT CHARGE LBS / OZ	AMPS. RLA / LRA	EVAPORATOR WATER FLOW MIN / MAX *(GPM)	CONDENSER WATER FLOW MIN / MAX *(GPM)	A	B	C	D	CL1	CL2	SHIPPING WEIGHT (LBS.)	SHIPPING DIMENSIONS (IN.)
MT-1-WCMD	2 / 24,000	208-240 / 1	3 / 5	13.8 / 127	20 / 40	10 / 20	41.5"	41.5"	35.75"	35.75"	25"	25"	480	49 x 31 x 60
MT-3-WCMD	3 / 36,000	208-240 / 1	3 / 10	16.6 / 175	20 / 40	10 / 20	49"	41.5"	35.75"	43"	25"	32"	500	49 x 31 x 60
MT-4-WCMD	3 / 36,000	208-240 / 3	3 / 10	12.7 / 128	20 / 40	10 / 20	49"	41.5"	35.75"	43"	25"	32"	500	49 x 31 x 60
MT-4-460-WCMD	3 / 36,000	460 / 3	3 / 10	7.5 / 63	20 / 40	10 / 20	49"	41.5"	35.75"	43"	25"	32"	500	49 x 39 x 60
MT-5-WCMD	4 / 48,000	208-240 / 1	4 / 12	17.3 / 129	30 / 60	15 / 25	56.5"	49"	44"	50.5"	32"	40"	540	62 x 31 x 65
MT-6-WCMD	4 / 48,000	208-240 / 3	4 / 12	13 / 156	30 / 60	15 / 25	56.5"	49"	44"	50.5"	32"	40"	580	62 x 31 x 65
MT-6-460-WCMD	4 / 48,000	460 / 3	4 / 12	8 / 75	30 / 60	15 / 25	56.5"	49"	44"	50.5"	32"	40"	580	62 x 31 x 65
MT-7-WCMD	5 / 60,000	208-240 / 1	7 / 5	23 / 129	30 / 60	20 / 30	64"	56.5"	50.5"	58"	40"	47"	620	62 x 31 x 75
MT-8-WCMD	5 / 60,000	208-240 / 3	7 / 5	19.3 / 225	30 / 60	20 / 30	64"	56.5"	50.5"	58"	40"	47"	660	62 x 31 x 75
MT-8-460-WCMD	5 / 60,000	460 / 3	7 / 5	9.8 / 114	30 / 60	20 / 30	64"	56.5"	50.5"	58"	40"	47"	660	62 x 31 x 75

**OPTIONS:**

- SCH 80 PVC SHELL CONSTRUCTION.
- 316 STAINLESS STEEL STAND AND HEX BOLTS.

**NOTES:**

- CONDENSER WATER FLOW IS DETERMINED BY THE WATER TEMPERATURE ENTERING THE CONDENSER. MANUALLY ADJUST THE WATER FLOW TO MAINTAIN REFRIGERANT LIQUID SIDE PRESSURE.
- ALL UNITS ARE 60HZ.
- CONDENSER FLOW RATE IS BASED ON A MINIMUM OF 55°F AND MAXIMUM OF 75°F WATER TEMPERATURE. IF OPERATING OUTSIDE THESE PARAMETERS CONTACT AQUA LOGIC TECHNICAL SUPPORT.
- ALL DIMENSIONS ARE APPROXIMATE AND CAN CHANGE AT ANY TIME.



**\*\* IMPORTANT! \***

- DETAIL "A"
- FLOW SWITCH MUST BE FIELD INSTALLED VERTICALLY ON A HORIZONTAL STRAIGHT PIPE WITH NO LESS THAN 10 TIMES THE PIPE DIAMETER ON THE INLET SIDE AND NO LESS THAN 6 TIMES THE DIAMETER ON THE OUTLET SIDE.



9558 Camino Ruiz, San Diego, CA 92126

DRAWING # PDF-0096 SHEET TITLE

MT-1 THRU MT-8-WCMD SPECIFICATIONS

\* COPYRIGHT \*  
These drawings including design idea and construction techniques herein are the sole property of Aqua Logic Inc. They shall not be revised, copied, or reproduced in any manner without the written consent of Aqua Logic Inc.

DESCRIPTION	DRAWN BY	DATE	REVISION	SCALE	SHEET #
MT-1-WCMD THRU MT-8-WCMD WATER COOLED MARINE DUTY.	Arnaldo Guzman	11/13/2015		1:28	1 OF 1