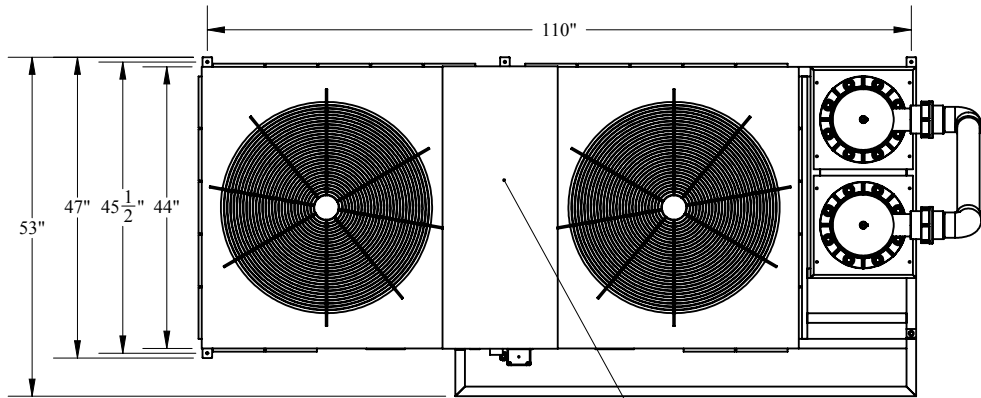
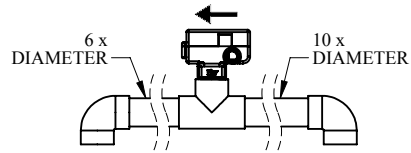


MT-25 SPECIFICATIONS SHEET

FOR INDOOR OR OUTDOOR FRESH AND SALT WATER APPLICATIONS



PLAN VIEW



IMPORTANT!
DETAIL "A"

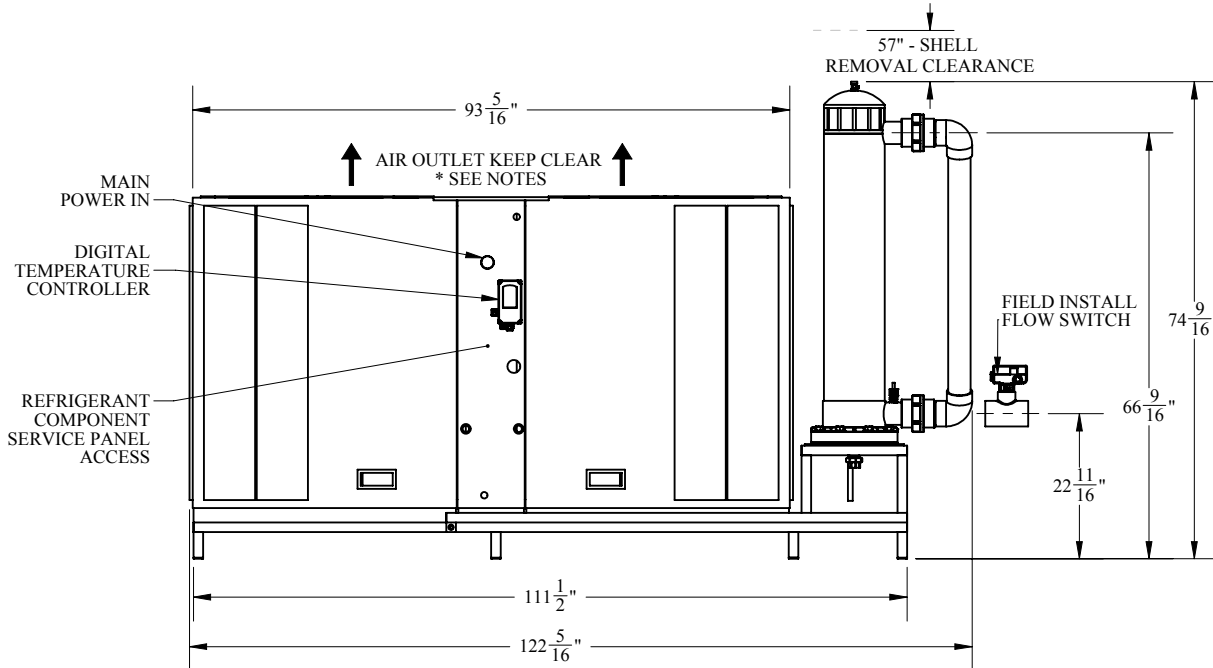
· FLOW SWITCH MUST BE FIELD INSTALLED HORIZONTAL WITH NO LESS THAN 10 TIMES THE DIAMETER OF STRAIGHT PIPE ON THE INLET SIDE AND NO LESS THAN 6 TIMES THE DIAMETER ON THE OUTLET SIDE.

***NOTES:**

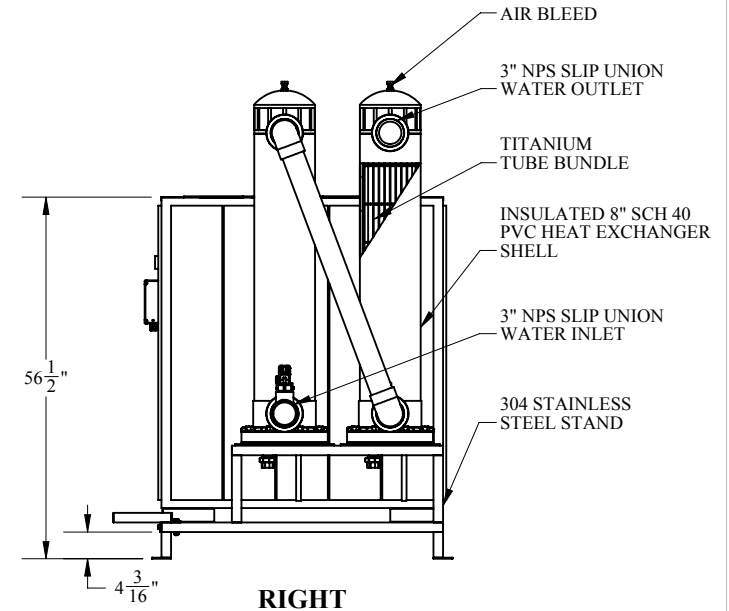
- AIR OUTLET DISCHARGE SHOULD BE UNRESTRICTED AT LEAST 100 INCHES ABOVE THE UNIT.
- UNIT SHOULD BE PLACED SO ROOF RUN-OFF WATER DOES NOT POUR DIRECTLY ON UNIT.
- MINIMUM CLEARANCE FOR PROPER OPERATION IS 36 INCHES FROM WALLS, SHRUBBERY, FENCES, ETC.
- MINIMUM CLEARANCE BETWEEN ADJACENT UNITS IS 72 INCHES.
- RECOMMENDED SERVICE CLEARANCE 48".
- ALL DIMENSIONS ARE APPROXIMATE AND CAN CHANGE AT ANY TIME.

OPTIONS:

- SCH 80 SHELL CONSTRUCTION.
- 316 STAINLESS STEEL STAND AND HARDWARE.
- LOW AMBIENT HEAD PRESSURE CONTROL (USE IN 50 °F WEATHER AND BELOW).
- HAIL GUARDS TO PROTECT CONDENSER FINS.
- COASTAL MARINE CONDENSER COATING.



FRONT



RIGHT

MULTI-TEMP WATER CHILLERS									
MODEL NO.	NOMINAL CAPACITY TONS / BTUH / KW	VOLTS / PHASE	TOTAL AMPS RLA / LRA	UNIT OPERATING VOLTAGE RANGE	MINIMUM CIRCUIT AMPACITY	MAXIMUM FUSE SIZE OR MAXIMUM CIRCUIT BREAKER (a)	WATER FLOW RATE (GPM)	AIR OULET EA. FAN (CFM)	WEIGHT (LBS.)
MT-25	25 / 300K / 87.2	208 - 240 / 3	82 / 267	187 - 253	103	125	120 / 180	15,500	2000
MT-25-460	25 / 300K / 87.2	460 / 3	40 / 142	414 - 506	49	60	120 / 180	15,500	2000

-(a) HACR TYPE CIRCUIT BREAKER PER NEC



9558 Camino Ruiz, San Diego, CA 92126

DRAWING # PDF-0305 SHEET TITLE

MT-25

* COPYRIGHT *
These drawings including design idea and construction techniques herein are the sole property of Aqua Logic Inc. They shall not be revised, copied, or reproduced in any manner without the written consent of Aqua Logic Inc.

DESCRIPTION
MULTI TEMP AIR COOLED WATER CHILLER

DRAWN BY DATE REVISION SCALE SHEET #
12/13/2018 1:30 1 OF 1