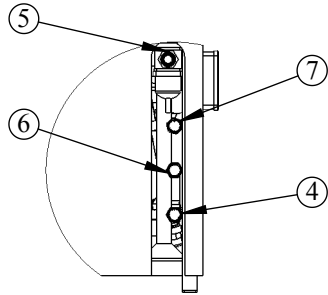
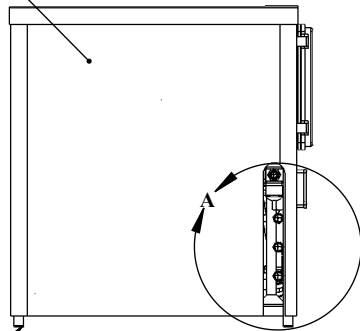


MT-5-WC WATER COOLED CHILLER SPA VERSION



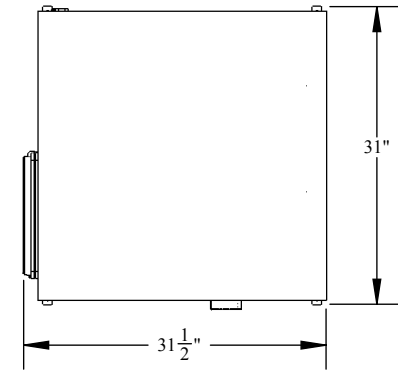
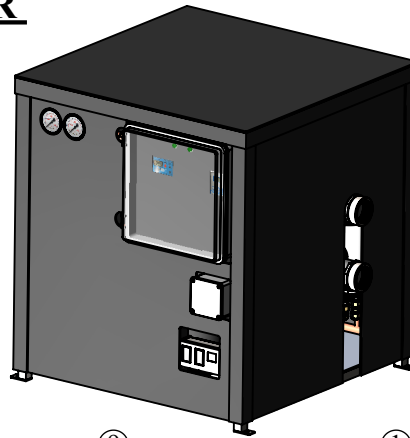
DETAIL A

BLACK ABS PLASTIC COVER

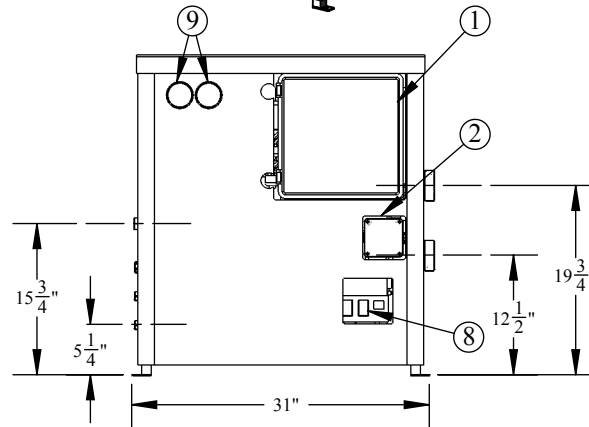


304 STAINLESS STEEL STAND

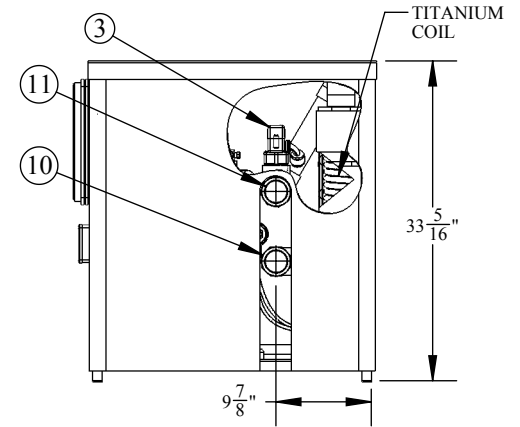
LEFT VIEW



PLAN VIEW



FRONT VIEW



RIGHT VIEW

NO.	DESCRIPTION
1	TEMPERATURE CONTROLLER / NEMA 4X ELECTRICAL CONTROL BOX
2	MAIN POWER IN JUNCTION BOX
3	SAFETY WATER FLOW SWITCH (INSIDE UNIT)
4	1/2" FPT BUILDING CONDENSER WATER SUPPLY INLET
5	1/2" FPT BUILDING CONDENSER WATER SUPPLY OUTLET
6	1/2" FPT CONDENSER CLEAN OUT INLET
7	1/2" FPT CONDENSER CLEAN OUT OUTLET
8	HI / LOW REFRIGERANT PRESSURE SAFETY CUTOFF
9	REFRIGERANT PRESSURE GAUGES
10	2" FPT POOL WATER INLET
11	2" FPT POOL WATER OUTLET

CONDENSER WATER FLOW VS. WATER TEMPERATURE		
ENTERING WATER TEMPERATURE (°F, °C)	GPM, LPM	ΔP DROP (PSIG)
45 , 7.2	1.9 , 7.1	5
50 , 10	2.1 , 7.9	6
55 , 12.7	2.4 , 9.0	5
60 , 15.5	2.7 , 10.2	5
65 , 18.3	3.2 , 12.1	5
*70 , 21.1	5 , 18.9	8
*75 , 23.8	6 , 22.7	10
*80 , 26.6	18 , 30.2	12
*85 , 29.4	12 , 45.4	20

* CONSULT AQUA LOGIC IF ENTERING CONDENSING WATER TEMPERATURES ARE THESE OR HIGHER.



9558 Camino Ruiz, San Diego, CA 92126

WATER-COOLED CHILLER SPA VERSION							
MODEL NO.	NOMINAL HP / BTUH	R-410A FREON CHARGE (LBS)	VOLTS / PHASE / HZ	AMPS. RLA / LRA	OPERATING VOLTAGE RANGE	PROCESS WATER FLOW RATE (GPM)	CONDENSER WATER FLOW RATE VS TEMPERATURE
MT-5-WC SPA	4 / 48,000	7	230 / 1 / 60	16 / 129	197-250V	60-120	SEE CHART

· ALL DIMENSIONS ARE APPROXIMATE AND CAN CHANGE AT ANY TIME.

* COPYRIGHT *
These drawings including design idea and construction techniques herein are the sole property of Aqua Logic Inc. They shall not be revised, copied, or reproduced in any manner without the written consent of Aqua Logic Inc.

DESCRIPTION
MT-5 WATER COOLED CHILLER SPA VERSION

DRAWN BY: Arnaldo Guzman
DATE: 11/13/2015

DRAWING #
PDF-0083

SHEET TITLE
MT-5-WC R-410 SPA VERSION SPECIFICATIONS

SCALE: 1:17
SHEET #: 1 OF 1