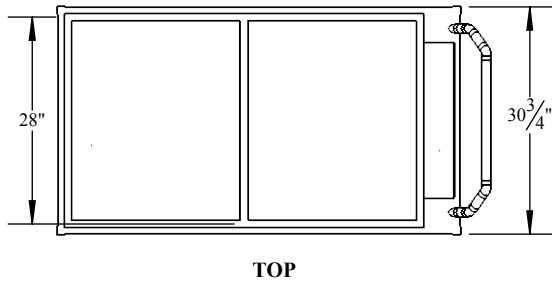
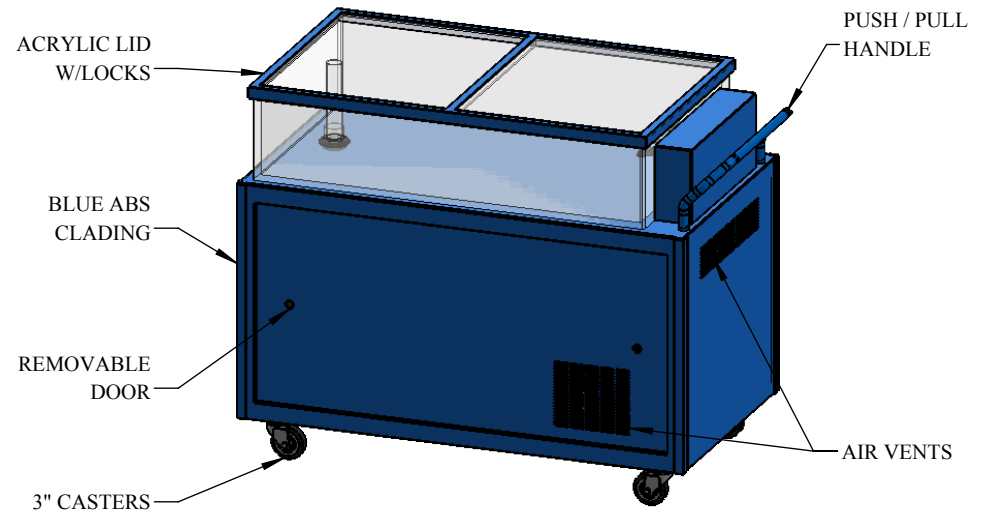
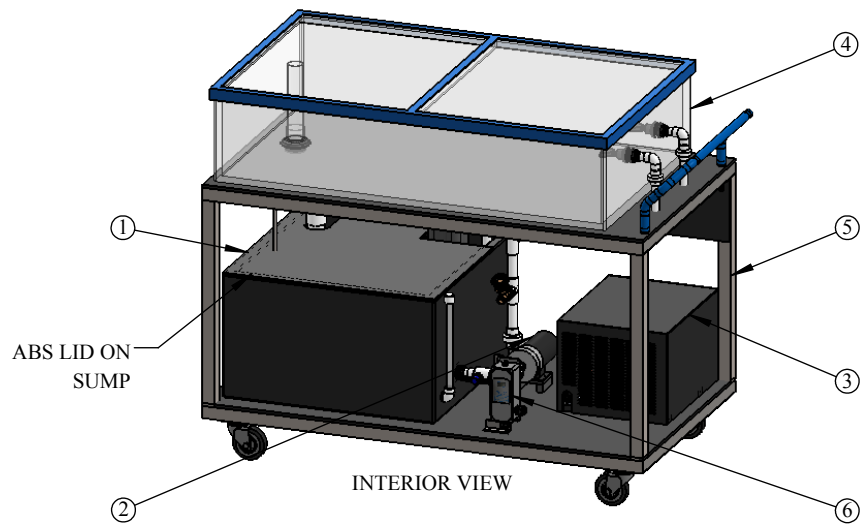


TTM-42 THRU 72 STANDARD ACRYLIC TOUCH TANKS



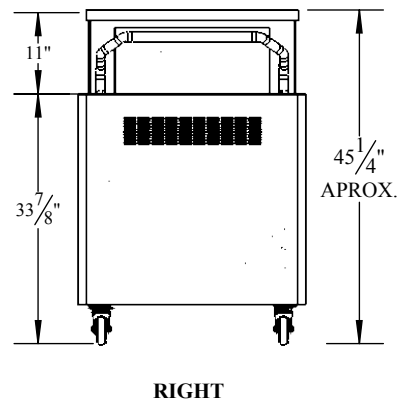
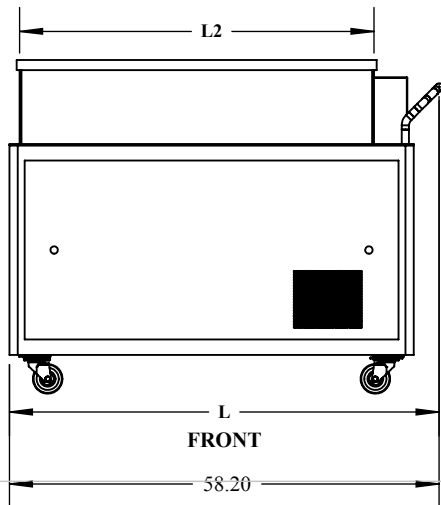
ITEM NO.	PARTS	TTM-42 QTY.	TTM-54 QTY.	TTM-72 QTY.
1	FILTRATION SUMP	1	1	1
2	EXTERNAL PUMP	1	1	1
3	CY-3 CHILLER (DROP-IN COIL) *	0	1	1
4	ACRYLIC TANK	1	1	1
5	POWDER COATED 304 STAINLESS STEEL RACK	1	1	1
6	TEMPERATURE CONTROLLER	0	1	1

NOTES:

- * TTM-42 MODEL DOES NOT INCLUDE CHILLER.
- TOUCH TANKS INCLUDE 2 RIGID CASTERS AND 2 LOCKING SWIVEL STAINLESS STEEL CASTERS.
- ALL DIMENSIONS ARE APPROXIMATE AND CAN CHANGE AT ANY TIME.

STANDARD OPTIONS:

- PROTEIN SKIMMER
- 316SS TIE DOWN RINGS FOR TRANSPORT
- ACRYLIC TANK DIVIDER
- 4" HEAVY DUTY CASTERS



TTM SPECIFICATIONS		
MODEL	LENGTH (L)	TANK LENGTH (L2)
TTM-42	46 1/4"	36"
TTM-54	58 1/4"	48"
TTM-72	76 1/4"	66"

* COPYRIGHT *
These drawings including design idea and construction techniques herein are the sole property of Aqua Logic Inc. They shall not be revised, copied, or reproduced in any manner without the written consent of Aqua Logic Inc.

DESCRIPTION

DRAWN BY
Arnaldo Guzman

DATE
5/5/2017

REVISION

SCALE

SHEET #
1 OF 1

DRAWING # SHEET TITLE

TTM-42 THRU 72
SPECIFICATIONS

9558 Camino Ruiz, San Diego, CA 92126

