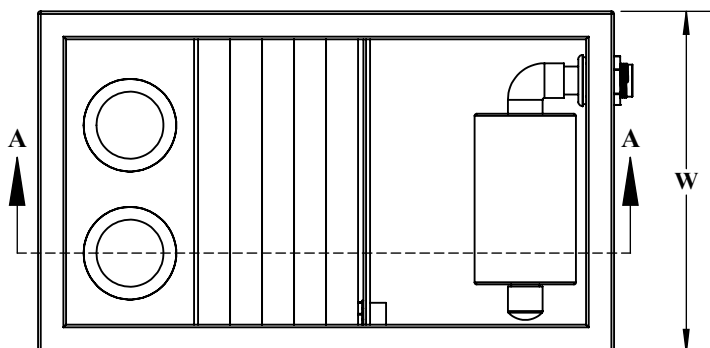
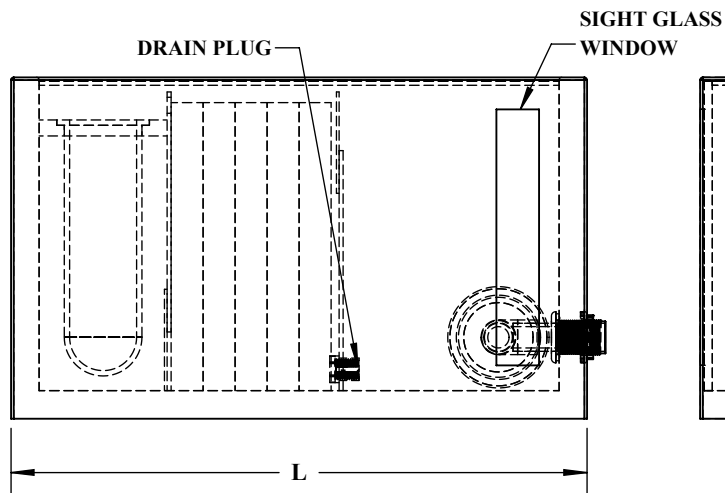


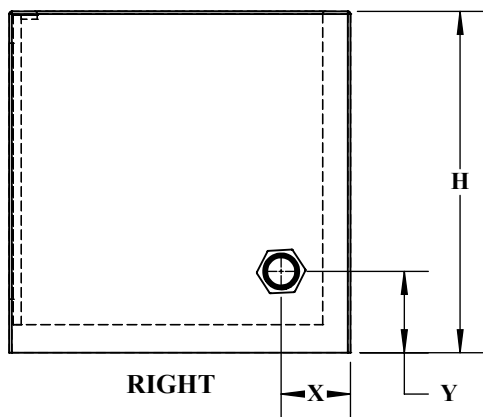
# STANDARD FILTER-SUMP 100, 150, 200 GALLON TANKS SPECIFICATIONS SHEET



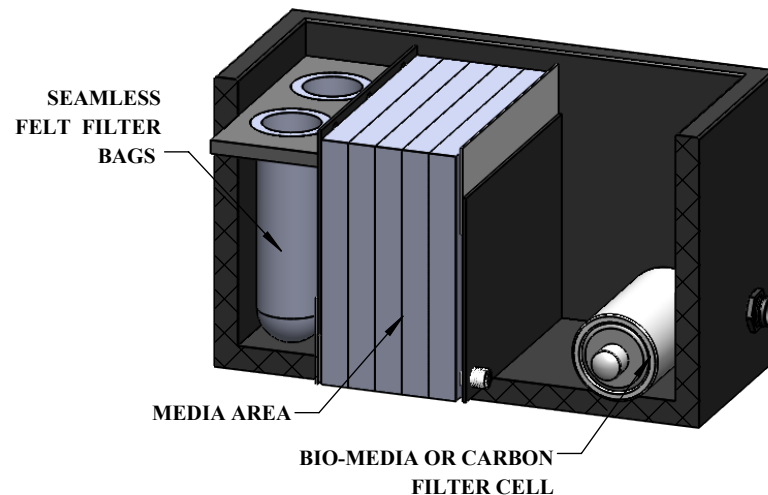
TOP



FRONT



RIGHT



CUSTOMIZATION	YES/NO	NOTES
SUMP COLOR		<b>COLOR:</b>
FILTER BAG PARTICLE SIZES	N / A	
PUMP		<b>MODEL:</b>
**CUSTOM BULKHEAD LOCATION		X=___ Y=___
PROTEIN SKIMMER		<b>MODEL:</b>

**SUMP COLOR AVAILABLE IN:**

- BLACK, WHITE, BLUE

**FILTER BAG PARTICLE SIZES (MICRONS) AVAILABLE IN:**

- 5, 25, 50, 100

**NOTES:**

- IF SUBMERSIBLE PUMP IS NEEDED, NO "OUTLET BULKHEAD" WILL BE INSTALLED.

- \* SUBMERSIBLE PUMP AND SKIMMER OPTIONS COULD AFFECT FILTER CELL ORIENTATION DEPENDING ON MODEL SIZE.

- \*\* STANDARD BULKHEAD LOCATION "X" AND "Y" CANNOT BE LESS THAN PROVIDED VALUES.

MODEL	MAX FLOW, GPM	AQUARIUM CAPACITY	INTERIOR TANK VOL.	MEDIA VOLUME (cu. ft.)	FILTER BAGS	BAG DIAMETER	BAG HEIGHT	L	W	H	STANDARD BULKHEAD SIZE	** STANDARD BULKHEAD LOCATION X / Y
Sump-100	5	100	20 gallons	0.6	2	4"	14"	27"	16"	16"	1"	3 1/4" / 4"
Sump-150	7	150	28 gallons	1.3	2	4"	14"	28"	18"	18"	1"	3 1/4" / 4"
Sump-200	10	200	42 gallons	1.7	2	4"	14"	30"	24"	18"	1 1/2"	3 1/2" / 4"



9558 Camino Ruiz, San Diego, CA 92126

DRAWING # PDF-0888 SHEET TITLE

**STANDARD SUMPS**

\* COPYRIGHT \*  
These drawings including design idea and construction techniques herein are the sole property of Aqua Logic Inc. They shall not be revised, copied, or reproduced in any manner without the written consent of Aqua Logic Inc.

DESCRIPTION  
STANDARD SUMP SPECIFICATION SHEET

DRAWN BY Arnaldo Guzman	DATE 2/15/2022	REVISION	SCALE	SHEET # 1 OF 1
----------------------------	-------------------	----------	-------	-------------------